

Series 19MR

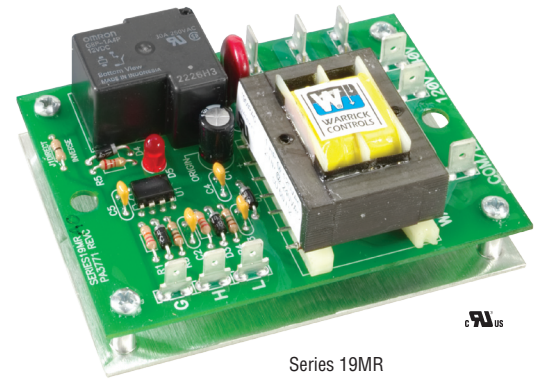
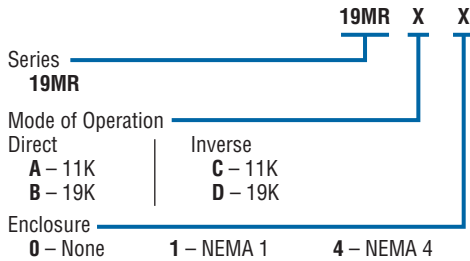
Direct Motor Load of 30 Amps @ 240 VAC

Series 19MR controls are the ideal choice where pump up or pump down service is necessary. This control eliminates the need for contactors because it can directly handle motors up to 1 HP at 120 VAC, or motors up to 2 HP at 240 VAC.

Enclosures	Optional
Output Contact Rating	30 amp @ 240 VAC
Powered Output Contact	SPST 30 A at supply voltage (120 or 240 VAC)
Horsepower Range	1 hp for 120 VAC; 2 hp for 240 VAC
Terminals	3/16" spade lug on probe connections 1/4" spade lug on power connections
Primary Voltage	120 VAC or 240 VAC (+10%/-15%), 50/60 Hz
Secondary Voltage	11.0 VAC, 1.5 mA
Temperature	-40°F to +150°F (-40°C to +65°C)
Approvals	U.L. 508 File # E44426, Vol. 1 Sec. 6

How to Order

Use the **Bold** characters from the chart below to construct a product code.

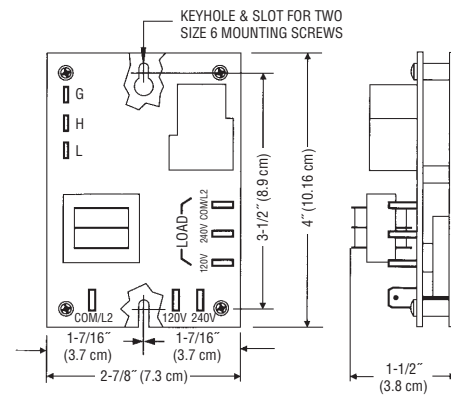


Series 19MR

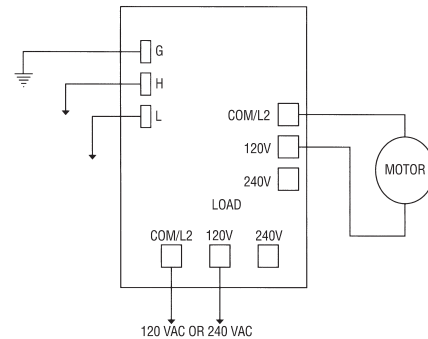
Applications

- Carbonators
- Appliances
- Sumps
- Low-Water Cutoff
- Direct Motor Load

Dimensions



Wiring



Caution: 19MR contacts are powered contacts. When power is applied to the 19MR controller, power may be present on relay output connections. Output voltage will be same as input voltage.