



BOILER CONTROLS

Low Water Cut-Offs – Float Type For Hot Water Boilers

Series 64

Low Water Cut-Offs



Series 64

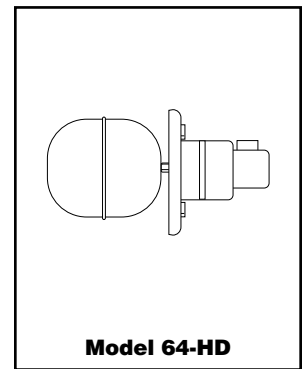


Model 64-A

Replacement Head Mechanisms

For Series	Repl. Head Model No.	Part Number	Description	Weight lbs. (kg)
64	64-HD	144400	Head mechanism	4.0 (1.8)
64-A				

Head mechanisms include a gasket and bolts.



Model 64-HD

Components (shown on page 11)

Item Number	Part Number	Model Number	Description	Weight lbs. (kg)
1	343600	SA64-30	Float assembly	1.0 (0.5)
2	302600	CO-12	Head gasket	0.1 (.05)
3	343500	SA64-2	Bellows assembly (includes item 2)	0.3 (.14)
4	318800	67-12	Gasket	0.1 (.05)
5	309100	11	Switch	0.5 (.23)
6	309151	11-M	No. 11 w/manual reset	0.5 (.23)
7	309200	11-MV	No. 11 for Millivolt service	0.5 (.23)
8*	332800	MA-259	Quick hook-up fittings (includes item 8, 9, 10)	4.5 (2.0)
9*	351800	SA259-24	Upper quick hook-up	1.7 (.77)
10*	349500	SA159-24	Lower quick hook-up	1.7 (.77)
11*	349400	SA159-17	Black "Y" assembly	2.3 (1.0)

*Available for 64-A models only



Low Water Cut-Offs – Float Type For Hot Water Boilers

Series 64 (continued)

Low Water Cut-Offs

Components

