

Low Water Cut-Offs – Float Type For Hot Water Boilers

Series 764

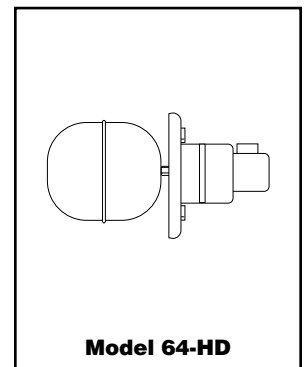
Low Water Cut-Offs



Replacement Head Mechanisms

For Series	Repl. Head Model No.	Part Number	Description	Weight lbs. (kg)
764	64-HD	144400	Head mechanism	4.0 (1.8)

Head mechanisms include a gasket and bolts.



Components (shown on page 13)

Item Number	Part Number	Model Number	Description	Weight lbs. (kg)
1	343600	SA64-30	Float assembly	1.0 (0.5)
2	302600	CO-12	Head gasket	0.1 (.05)
3	343500	SA64-2	Bellows assembly (includes item 2)	0.3 (.14)
4	318800	67-12	Gasket	0.1 (.05)
5	309100	11	Switch	0.5 (.23)
6	309151	11-M	No. 11 w/manual reset	0.5 (.23)
7	309200	11-MV	No. 11 for Millivolt service	0.5 (.23)

**Low Water Cut-Offs – Float Type
For Hot Water Boilers**

Series 764 (continued)

Low Water Cut-Offs

Components

