

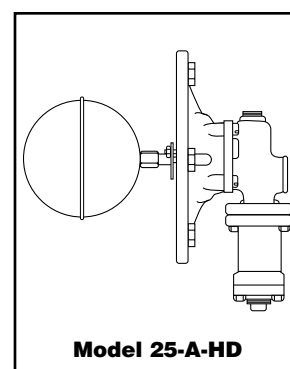
Water Feeders – Make-Up

Series 25-A Make-Up Water Feeders



Replacement Head Mechanisms

For Series	Repl. Head Model No.	Part Number	Description	Weight lbs. (kg)
25-A	25A-HD	127100	Head mechanism	20 (9.1)



Components (shown on page 39)

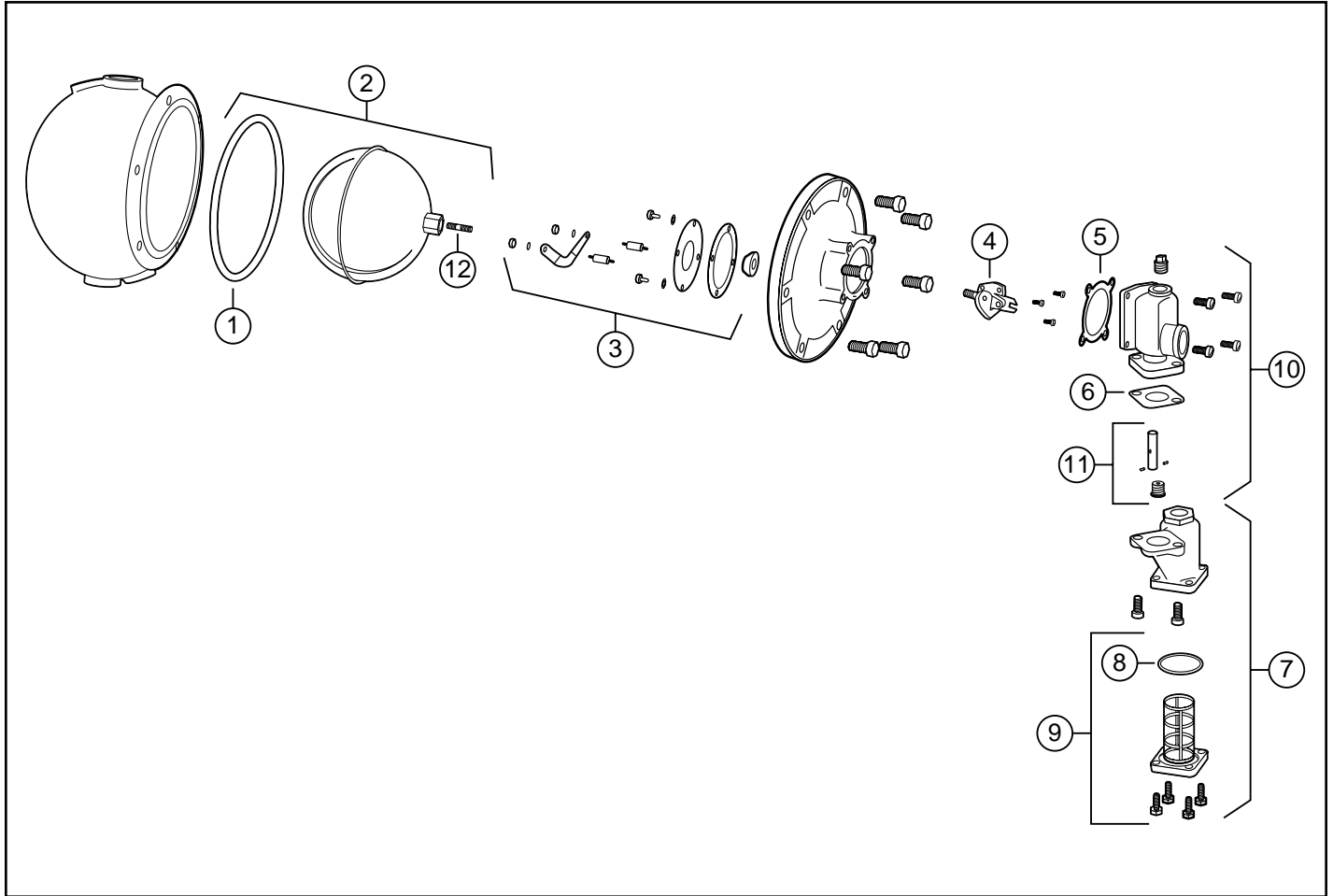
Item Number	Part Number	Model Number	Description	Weight lbs. (kg)
1	304100	F-26	Gasket	0.1 (.05)
2	334100	421-30	Float	1.5 (0.7)
3	340400	SA27T-75	Diaphragm seal assembly (includes item 1)	0.1 (.05)
4	339800	SA25-5	Arm assembly	0.1 (.05)
5	311100	21-27	Gasket	0.1 (.05)
6	312900	37-28	Gasket	0.1 (.05)
7	342300	SA51-9R	Strainer assembly (includes item 7)	3.0 (1.4)
8	324435	37-101	Tetraseal O-ring	0.1 (.05)
9	339700	SA21-38R	Strainer basket	1.0 (0.5)
10	339900	SA25A-6	Valve assembly	3.0 (1.4)
11	340000	SA25A-15	Stem & disc assembly (includes item 7)	0.3 (.14)
12	311900	27T-9	Float Rod	0.1 (.05)

Water Feeders – Make-Up

Series 25-A (continued)

Make-Up Water Feeders

Components



BOILER CONTROLS