



Water Feeders – Make-Up

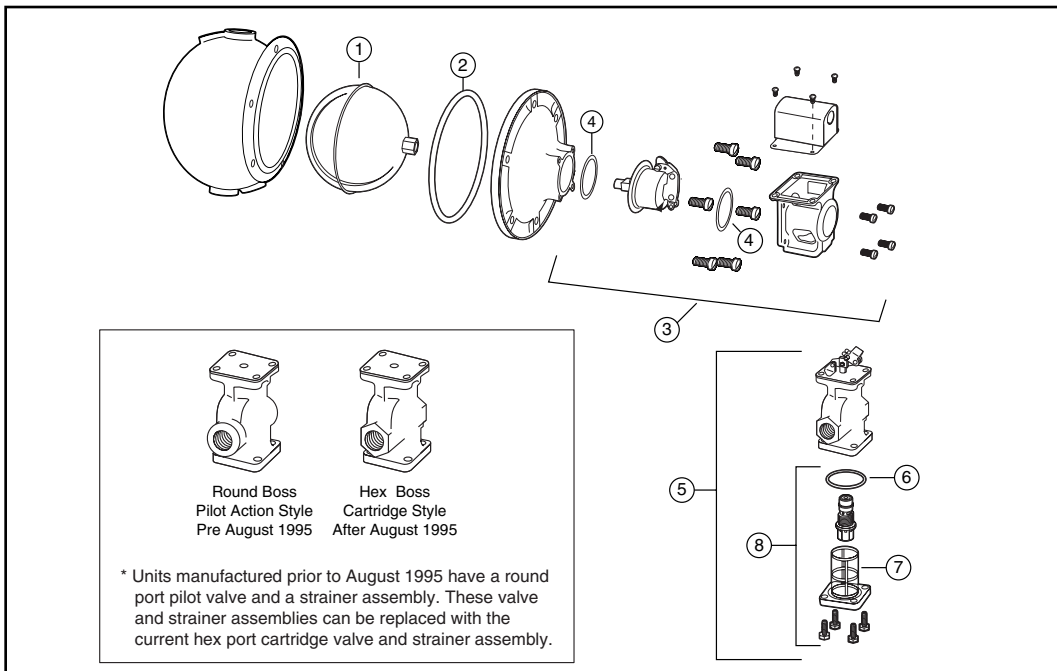
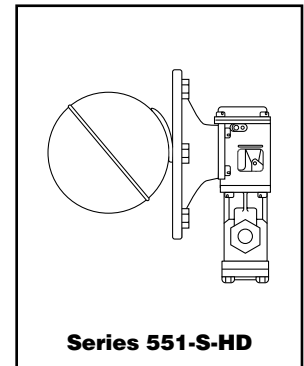
Series 551-S Make-Up Water Feeders

Replacement Head Mechanisms

For Series	Repl. Head Model No.	Part Number	Description	Weight lbs. (kg)
551-S	551S-HD	136600	Head mechanism	25.7 (11.7)

Components

Item Number	Part Number	Model Number	Description	Weight lbs. (kg)
1	310437	FLT-51-05	Float (includes item 2) (see note below)	2.5 (1.1)
2	304100	F-26	Gasket	0.1 (.05)
3	310442	BA-551-05	Bellows bracket assembly (see note below)	1.5 (0.7)
4	312800	37-27	Gasket	0.1 (.05)
5*	352600	SA551S-101-102	Valve & strainer kit	4.0 (1.8)
6	324435	37-101	Tetraseal o-ring	0.1 (.05)
7	347100	SA101-38	Strainer basket (includes item 6)	0.7 (.32)
8	310452	CTRD-51	Cartridge kit	0.8 (.36)



NOTE:
One time float and bellows replacement is required when replacing bellows or float assemblies with date codes before February 2005 (05B).