



## Replacement Switch Assembly

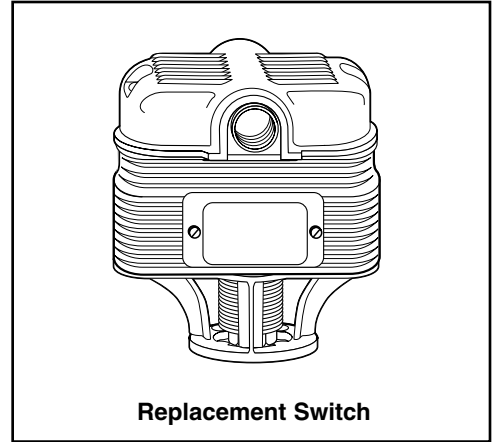


- 5 Burner/Pump Control
- 5-M Burner/Pump Control – Manual Reset
- 7B Proportional Control
- 7B-M Proportional Control – Manual Reset

### For Series:

- 93            94
- 193          194

Pump Controller/Low Water Cut-Off



### Electrical Ratings

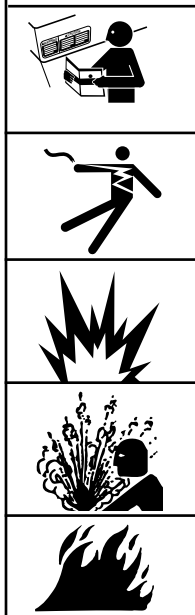
#### Models with 5 and 5-M Switch

Voltage	Pump and Burner Switch Contact Ratings Pilot Duty Only
120 VAC	345 VA
240 VAC	

#### Models with 7B and 7B-M Switch

Switch Ratings		
Burner		Valve
120 VAC	345 VA	0 - 135 ohms @ 24 VAC
240 VAC		

## ⚠ WARNING



- Before using this product read and understand instructions.
  - Save these instructions for future reference.
  - All work must be performed by qualified personnel trained in the proper application, installation, and maintenance of plumbing, steam, and electrical equipment and/or systems in accordance with all applicable codes and ordinances.
  - To prevent a fire, do not exceed the switch contact rating.
- Failure to follow this warning could cause property damage, personal injury or death.

*Engineered for life*

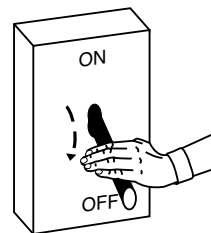
## STEP 1 - Removal and Replacement of Contacts and Terminal Panels

- a. Turn power off to boiler and all controls. Allow boiler to cool to 80°F (27°C) and reduce the pressure to 0 psi (0 bar).



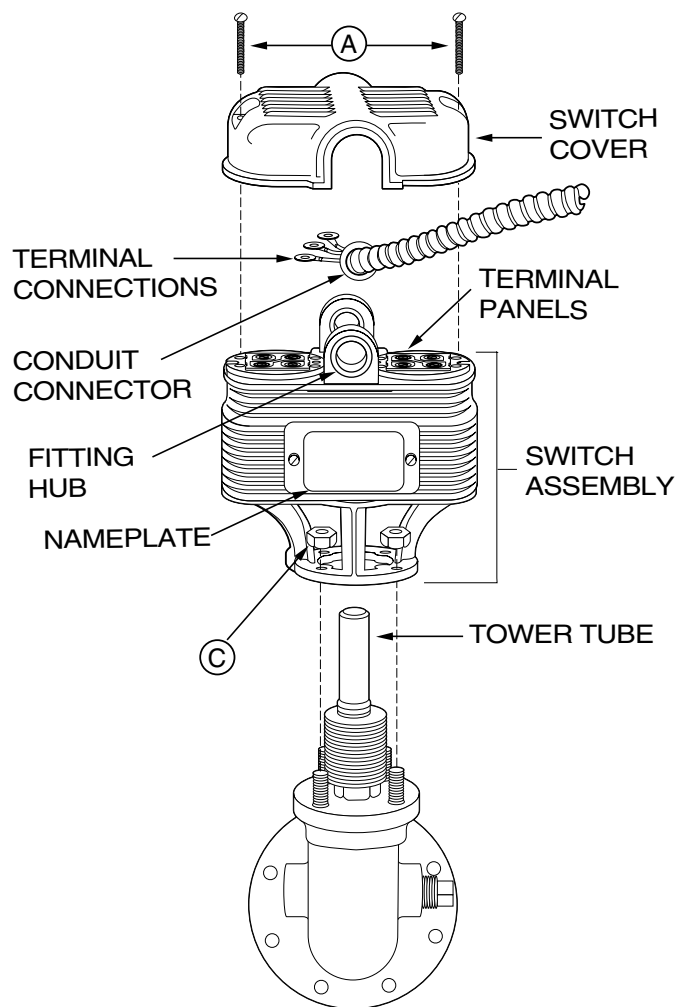
### CAUTION

There may be more than one source of power to the boiler.



### b. Remove and Replace Switch Assembly

- Remove two screws (A) and lift off **switch cover**.
- Identify **terminal connections** for rewiring and then disconnect all wires from **terminal panels**.
- Remove **conduit connector** and wires from the integral **fitting hub**.
- Remove four hex nuts (B) and carefully lift **switch assembly** up and off **tower tube**.
- Carefully slide new **switch assembly** over **tower tube** and secure with four hex nuts (B). Make sure **nameplate** is in same position as old unit.
- Remove two screws (A) and lift **switch cover** off new unit.
- Install **conduit fitting** from old unit with attached wires on **switch assembly**.
- Reconnect wiring to **terminal panel** in exactly the same position as removed.
- Replace **switch cover** and fasten with two screws (A).



Proceed to Step 2 to Test Control

## STEP 2 - Testing

- Dimensions shown are typical.
- The following testing procedure is only meant to serve as a verification of proper operating sequence.

**a. Turn on power to boiler and pump circuits.**

With the boiler empty, the pump should turn on (5 or 5-M switch models) or the valve open (7B or 7B-M switch models). The burner should remain off and boiler should begin to fill with water.

 **CAUTION**

**Immediately turn off all power if the burner turns on with no water in the gauge glass. Investigate further before continuing procedure.**

**b. For Automatic Reset Models**

When water level in the gauge glass is approximately 1 3/8" (35mm) above the horizontal cast line, the burner should turn on.

**For Manual Reset Models**

When water level in the gauge glass is approximately 1 3/8" (35mm) above the horizontal cast line, press the manual reset button and the burner should turn on.

**c. For 5 or 5-M Switch Models**

When water level in the gauge glass is approximately 2 1/8" (54mm) above the horizontal cast line, the pump should turn off.

**For 7B or 7B-M Switch Models**

When water level in the gauge glass is approximately 2 11/16" (68mm) above the horizontal cast line, the valve should be closed.

 **CAUTION**

**If pump does not turn off or valve close, turn off water supply to boiler. Investigate further before continuing procedure.**

- d.** With the water in the boiler at its normal level and burner on, SLOWLY open the blow-down valve until it is fully open. As the water level in the gauge glass begins to drop, verify that the following occurs.

**For 5 or 5-M Switch Models**

When water level drops to approximately 1 1/8" (29mm) above the horizontal cast line, the pump should turn on.

When water level drops to the horizontal cast line, the burner should turn off.

**For 7B or 7B-M Switch Models**

As the water level drops, the valve should begin to open.

When the water level drops to approximately 7/8" (22mm) above the horizontal cast line, the valve should be full open.

When the water level drops to the horizontal cast line, the burner should turn off.

- e.** Close the blow-down valve after burner turns off and restore water level to normal operating level.
- f.** Repeat testing procedure several times to ensure proper operation of control.
- g.** After testing and verification of control operation, the boiler can be returned to service.