



Series FS8-W General Purpose Liquid Flow Switches

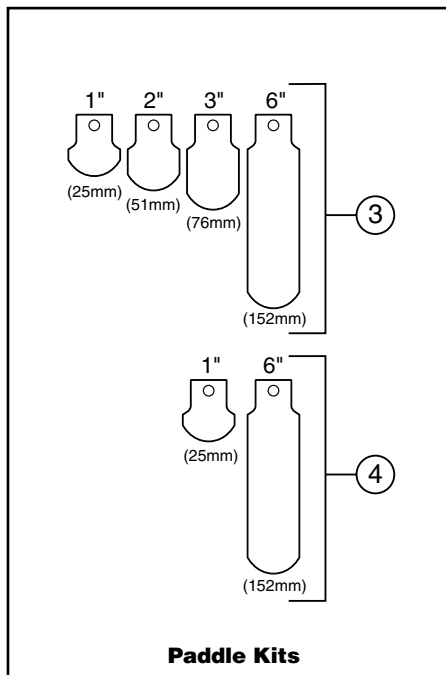
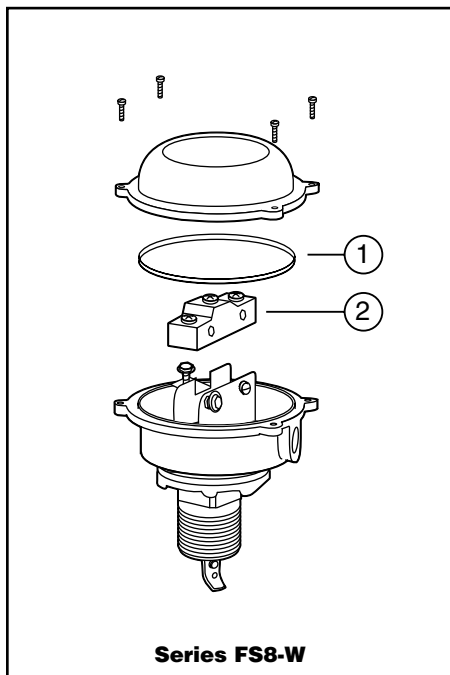
Components

Item Number	Part Number	Model Number	Description	Weight lbs. (kg)
1	307400	GSKT-FS8W	O-ring	0.1 (.05)
2	310478	FS8-33	Switch	0.3 (.14)
3	310451	FS4-15SS	Stainless steel paddle kit	0.1 (.05)
4	336101	FS4-15RP	Stainless steel paddle kit	.08 (0.4)



Series FS8-W

Note: Paddle kits include screws and washers.



FLOW SWITCHES