



## Emergency Shut Off Device

ISO 9002/EN 29002

ADD-A-VALVE®



### Description

Emergency shut off device for copper tubing eliminates shutdowns. Allows replacement of defective valve or installation of new valve on hot or cold water in 30 minutes or less without shutting off water.

### Model

ADD-A-VALVE® is available in six models (See table below).

### Specifications

Valve may be replaced or installed on hot (220°F/104°C) or cold water, H<sub>2</sub>O Glycol Systems, under pressure, from 0 to 250 PSI/17 bar Max., on type M, L & K, copper tube.

- Eliminates facility shutdowns
- Available in six sizes ranging from 1/2" to 2"
- Bottom cleanout cap serves as line tap
- Model S-100 Ball Valve included in package
- Loc-Tite® gasket sealant included
- U.S. and Canadian patents

### Note

On Multi-story buildings - all pumps, main and circulator, must be shut down prior to installation.

### Operation

Once installed, the ADD-A-VALVE® is a permanent part of the copper tube installation. The bottom cleanout cap serves as line tap. Drill motor should not be used on the ADD-A-VALVE®. Use of a drill motor will release Jomar from any liability.

### Attention

Jomar® requires that the Add-A-Valve® installer view Jomar's® CD/video on the proper installation of the Add-A-Valve device prior to attempting installation. Copies are available for viewing at the Add-A-Valve® Distributors or Jomar web site ([www.jomar.com](http://www.jomar.com)). The Add-A-Valve® Installer will be solely responsible for any liability resulting from improper installation of any Add-A-Valve® device. Jomar will not be responsible, nor will it exchange or provide a refund for any improperly installed Add-A-Valve® device.

#### Architect/Engineer approval

Job Name \_\_\_\_\_ Date \_\_\_\_\_  
 Model Specified \_\_\_\_\_ Quantity \_\_\_\_\_  
 Variations Specified \_\_\_\_\_  
 Customer/Wholesaler \_\_\_\_\_  
 Contractor \_\_\_\_\_  
 Architect \_\_\_\_\_

Note: Information subject to change without notice.



Jomar Valve  
 7243 Miller Drive  
 Warren, MI 48092  
 Phone: 800-325-5690  
 Fax: 800-628-4194  
[www.jomarvalve.com](http://www.jomarvalve.com)

Add-A-Valve®  
 © Copyright 2010 Printed in U.S.A.  
 0510

## Emergency Shut Off Device

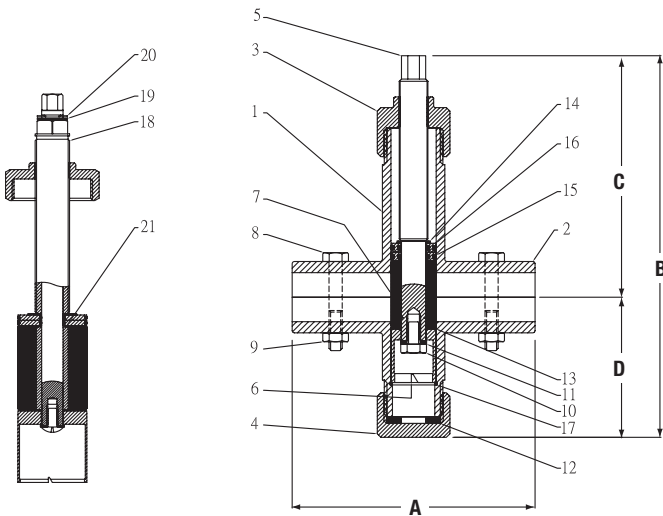


### Description

Emergency shut off device for copper tubing eliminates shutdowns. Allows replacement of defective valve or installation of new valve on hot or cold water in 30 minutes or less without shutting off water.

### Dimensions in Inches

Computer No.	Size	A	B(open)	B(closed)	C	D
800-103ADD	1/2"	2.99	6.69	5.12	5.08	1.61
800-104ADD	3/4"	3.31	8.78	6.77	6.30	2.48
800-105ADD	1"	3.66	10.28	7.68	7.48	2.80
800-106ADD	1-1/4"	4.25	12.72	9.77	9.92	2.80
800-107ADD	1-1/2"	4.65	13.86	10.43	10.28	3.58
800-108ADD	2"	7.20	16.61	12.17	12.63	3.98



### Material Specification

No.	Part Name	Materials
1	Body Half - Top	Forged Brass
2	Body Half - Bottom	Forged Brass
3	Stem Holder (1/2" - 1")	Brass
	(1-1/4" - 2")	Forged Brass
4	Bottom Cap (1/2" - 1")	Brass
	(1-1/4" - 2")	Forged Brass
5	Stem	316 Stainless Steel
6	Cutter	Steel
7	Plug	Viton®
8	Bolt (4)	304 Stainless Steel
9	Nut	304 Stainless Steel
10	Cutter Screw	304 Stainless Steel
11	Washer	304 Stainless Steel
12	Gasket	Viton®
13	Washer	304 Stainless Steel
14	Washer	304 Stainless Steel
15	O-ring	Viton®
16	O-ring Holder	Brass
17	Seat Ring	304 Stainless Steel
18	Thread Tube	Brass
19	Washer	304 Stainless Steel
20	Spring Washer	304 Stainless Steel
21	Insert (2" only)	Brass

### Pressure Rating

250 PSI / 17 Bar Max.

220°F

### Warranty

The Company, for a period of one year from the date of shipment, warrants each product or system of its own manufacture to the original purchaser to be free from defects in material and workmanship under normal use, service and maintenance.

Note: Information subject to change without notice.



Jomar Valve  
7243 Miller Drive  
Warren, MI 48092  
Phone: 800-325-5690  
Fax: 800-628-4194  
www.jomarvalve.com

© Copyright 2010 Printed in U.S.A.  
0510