



## Cap and Chain Ball Valve

ISO EN 9001:2000

### Description

1/4 turn, lever operated, hot forged brass ball valve with cap and chain. 100% full port. Blow-out proof, 2-piece design. 100% tested.

### Features

- Cap and Chain for easy drain
- Pressure rating: 600 WOG / 150 WSP
- Viton® O-ring stem design
- PTFE seats
- Chrome plated brass ball with brass stem
- 3/4" Male garden hose thread

### Accessories

- "Lift-N-Lock" locking device
- 2" Handle extension
- Red Painted Aluminum "T" Handle
- Pneumatic & Electric Actuation Available upon request

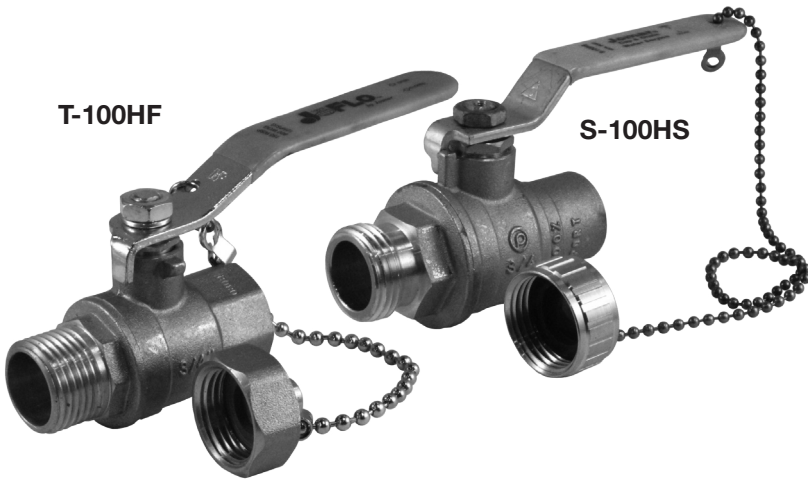
### WARNING:

**CAP IS NOT DESIGNED TO HOLD BACK PRESSURE WHEN THE VALVE IS IN THE OPEN POSITION**

### Warranty

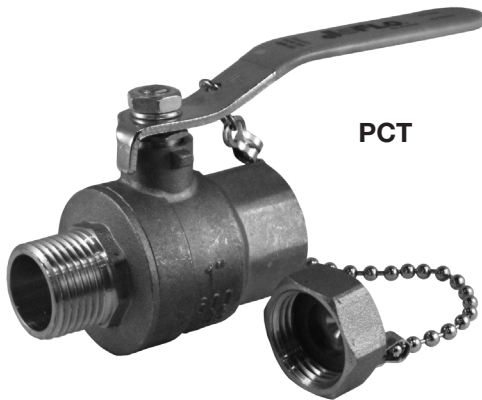
The Company, for a period of one year from the date of shipment, warrants each product or system of its own manufacture to the original purchaser to be free from defects in material and workmanship under normal use, service and maintenance.

T-100HF



S-100HS

PCT



#### Architect/Engineer approval

Job Name \_\_\_\_\_ Date \_\_\_\_\_  
 Model Specified \_\_\_\_\_ Quantity \_\_\_\_\_  
 Variations Specified \_\_\_\_\_  
 Customer/Wholesaler \_\_\_\_\_  
 Contractor \_\_\_\_\_  
 Architect \_\_\_\_\_

Note: Information subject to change without notice.



Jomar Valve  
 7243 Miller Drive  
 Warren, MI 48092  
 Phone: 800-325-5690  
 Fax: 800-628-4194  
 www.jomarvalve.com

T/S-100H  
 © Copyright 2010 Printed in U.S.A.  
 0510

## Cap and Chain Ball Valve



### Description

1/4 turn, lever operated, hot forged brass ball valve with cap and chain. 100% full port. Blow-out proof two-piece design. 100% tested.

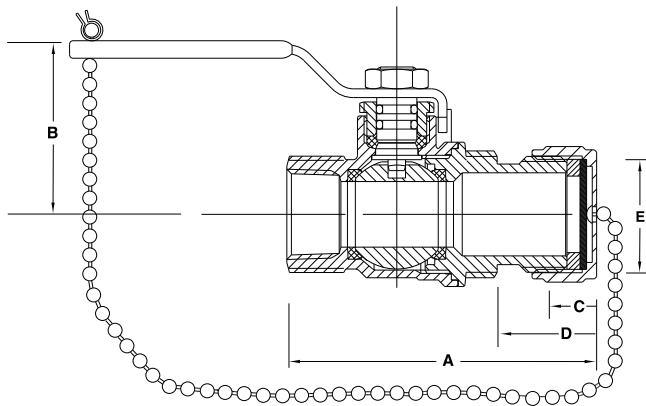
### Dimensions in Inches

Computer No.	Size	A	B	C	D	E	CV†
<b>S-100HS</b>							
100-663	1/2"	2.70	1.53	.43	.63	.75	20.25
100-664	3/4"	3.13	1.93	.43	.63	.75	41.83
<b>T-100HF</b>							
100-653	1/2"	2.54	1.53	.43	.63	.75	20.25
100-654	3/4"	2.80	1.93	.43	.63	.75	41.88
100-755	1"	3.50	2.45	NA	NA	1.00	78.38

### Pacific Coast Thread (PCT)

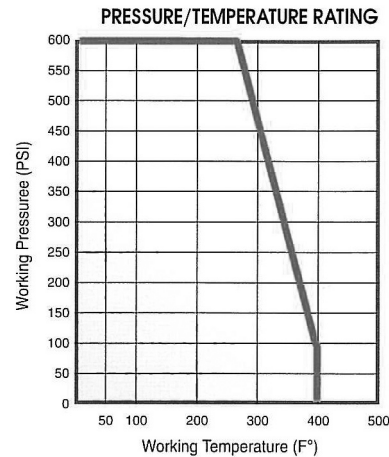
100-655*	1" Female x 1" PCT	3.50	2.45	NA	NA	1.00	78.38
----------	--------------------	------	------	----	----	------	-------

† The CV Factor is the gallons of water per minute passed through the valve with a 1 PSI pressure drop.



### Material Specification

No.	Part Name	Materials
1	Body	Hot Forged Brass
2	End Adapter	Hot Forged Brass
3	Ball	Hard Chrome plated Brass
4	Seat (2)	Virgin P.T.F.E.
5	Stem	Extruded Brass
6	O-Ring	Viton*
7	Packing	Virgin P.T.F.E.
8	Packing Gland	Extruded Brass
9	Lever Handle	Dacromet coated Steel
10	Nut	Dacromet Coated Steel
11	Cap Washer	Buna-N
12	Cap	Extruded Brass
13	Chain	Brass



### WARNING:

CAP IS NOT DESIGNED TO HOLD BACK PRESSURE WHEN THE VALVE IS IN THE OPEN POSITION

Note: Information subject to change without notice.



Jomar Valve  
7243 Miller Drive  
Warren, MI 48092  
Phone: 800-325-5690  
Fax: 800-628-4194  
www.jomarvalve.com