

Float and Thermostatic Steam Traps (continued)

Series C and X 

- For large high capacity units
- Sizes available:
 - Series C:**
 - 1 1/4" NPT and BSPT
 - 1 1/2" NPT and BSPT
 - 2" NPT and BSPT
 - 2 1/2" NPT
 - Series X:**
 - 2" NPT
- Resistant to water hammer and corrosion
- Below condensate level seat design prevents steam leakage
- Rugged stainless steel thermostatic element eliminates air binding
- Stainless steel internal components
- Can be serviced without dismantling piping
- Maximum operating pressure 175 psig (12.1 bar)
- Maximum temperature 377°F (192°C)

Materials of Construction	
Part	Specifications
Body and cover	Cast Iron 30,000 psi tensile
Valve Pin and Seat	Stainless Steel (Hardened)
Float	Stainless Steel
Lever Assembly	Stainless Steel
Thermostatic Air Vent	Stainless Steel Cage and Thermal Element
Cover Bolts	Grade 5
Baffle	Stainless Steel {2 1/2" units only}

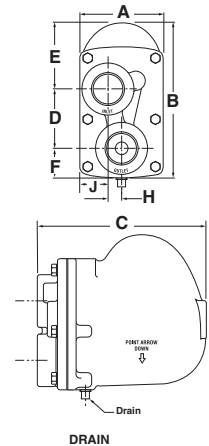
Dimensions in. (mm)

Size in.	A	B	C	D	E
1 1/4	4 1/4 (108)	8 5/16 (211)	8 9/16 (217)	3 (76)	3 3/8 (86)
1 1/2	4 1/4 (108)	8 5/16 (211)	8 9/16 (217)	3 (76)	3 3/8 (86)
2-Std.	7 3/16 (183)	10 1/8 (257)	10 1/2 (267)	4 15/16 (379)	2 11/16 (68)
2-X	10 (254)	15 (381)	15 1/2 (394)	6 5/8 (168)	4 3/4 (121)
2 1/2	14 1/2 (368)	20 1/4 (514)	17 3/8 (441)	9 1/2 (241)	14 15/16 (379)

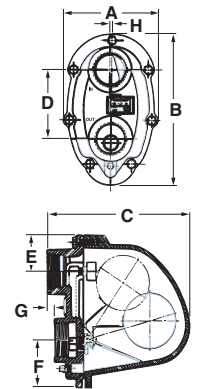
Size in.	F	G	H	J	K	L
1 1/4	2 (51)	—	45/64 (17.8)	1 3/8 (35)	—	—
1 1/2	2 (51)	—	45/64 (17.8)	1 3/8 (35)	—	—
2-Std.	3 1/4 (83)	1 1/2 (12.7)	1/8 (3.2)	—	—	—
2-X	3 1/2 (89)	—	—	—	—	—
2 1/2	6 1/4 (159)	5 (127)	12 (305)	1 5/8 (41)	4 1/2 (114)	7 (178)



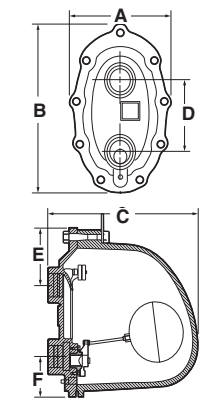
Series C
1 1/4" & 1 1/2"



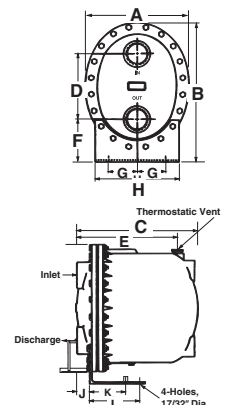
Series C
2"



Series X
2"



Series C
2 1/2"



Ordering Information

To convert previously manufactured Hoffman Specialty F & T Trap Model numbers, see page 17.

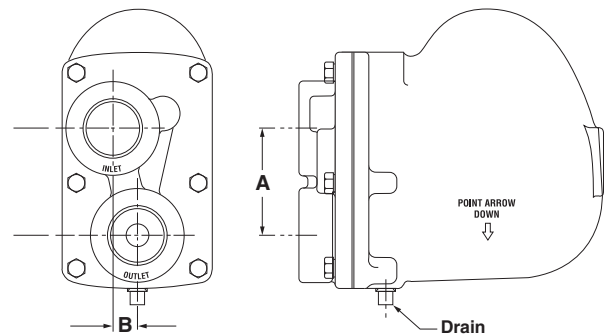
NPT Model Number*	BSPT Model Number	Size in.	NPT Part Number	BSPT Part Number	Seat Differential Pressure psi (bar)	Body Design Pressure Rating psi (bar)	Weight lbs. (kg)
FT015C-6	FT015C-6J	1½	404230	404231	15 (1.0)	175 (12.1)	18 (8)
FT015C-8	FT015C-8J	2	404240	404241	15 (1.0)	175 (12.1)	33 (15)
FT015X-8	FT015X-8J	2	404242	404243	15 (1.0)	175 (12.1)	108 (49)
FT015C-10	FT015C-10J	2½	404244	404245	15 (1.0)	175 (12.1)	175 (79)
FT030C-6	FT030C-6J	1½	404232	404233	30 (2.1)	175 (12.1)	18 (8)
FT030C-8	FT030C-8J	2	401887	401888	30 (2.1)	175 (12.1)	33 (15)
FT030X-8	FT030X-8J	2	401899	401910	30 (2.1)	175 (12.1)	108 (49)
FT030C-10	FT030C-10J	2½	401875	401921	30 (2.1)	175 (12.1)	175 (79)
FT075C-5	FT075C-5J	1¼	404244	404225	75 (5.2)	175 (12.1)	18 (8)
FT075C-6	FT075C-6J	1½	404234	404235	75 (5.2)	175 (12.1)	18 (8)
FT075C-8	FT075C-8J	2	401890	401891	75 (5.2)	175 (12.1)	33 (15)
FT075X-8	FT075X-8J	2	401902	401912	75 (5.2)	175 (12.1)	108 (49)
FT075C-10	FT075C-10J	2½	401875	401913	75 (5.2)	175 (12.1)	175 (79)
FT125C-5	FT125C-5J	1¼	404226	404227	125 (12.1)	175 (12.1)	18 (8)
FT125C-6	FT125C-6J	1½	404236	404237	125 (12.1)	175 (12.1)	18 (8)
FT125C-8	FT125C-8J	2	401893	401894	125 (12.1)	175 (12.1)	33 (15)
FT125X-8	FT125X-8J	2	401905	401922	125 (12.1)	175 (12.1)	108 (49)
FT125C-10	FT125C-10J	2½	401881	401924	125 (12.1)	175 (12.2)	175 (79)
FT175C-5	FT175C-5J	1¼	404228	401915	175 (12.1)	175 (12.1)	18 (8)
FT175C-6	FT175C-6J	1½	404238	401916	175 (12.1)	175 (12.1)	18 (8)
FT175C-8	FT175C-8J	2	401896	401925	175 (12.1)	175 (12.1)	33 (15)
FT175X-8	FT175X-8J	2	401907	401918	175 (12.1)	175 (12.1)	105 (49)
FT175C-10	FT175C-10J	2½	401884	401919	175 (12.1)	175 (12.1)	175 (79)

Note: "J" suffix at end of Model Number indicates BSPT threads, i.e. FT075C-8J

Series C and X Competitive Dimensional Comparison of Distance Between Inlet and Outlet Pipes of Traps with Tappings in the Cover

Dimensions in. (mm)

Size	Manufacturer/Model	A	B
1½"	Hoffman FT015C-6	3 (76)	23/32 (18)
	Spirax FT15	3 (76)	23/32 (18)
2"	Hoffman FT015C-8	4 ¹⁵ / ₁₆ (124)	1/8 (3)
	Mepco/Dunham Bush 30-8A	5 ³ / ₈ (136)	1½ (38)
	Spirax FT15	4 ¹⁵ / ₁₆ (124)	1/8 (38)
2"	Hoffman FT015X-8	6 ⁵ / ₈ (168)	0
	Armstrong 15-J8	6 ⁵ / ₈ (168)	0
	Mepco/Dunham Bush SA30-815	6 ⁷ / ₈ (175)	1 ³ / ₈ (35)
	Spirax FTB-20	4½ (114)	1/2 (13)
2½"	Hoffman FT015C-10	9½ (241)	0
	Armstrong 30-L10	11 ⁵ / ₁₆ (287)	0
	Mepco/Dunham Bush SA30-930A	5¼ (133)	1½ (38)
	Spirax FTB-125	7¼ (184)	1 ⁷ / ₁₆ (36)



Float and Thermostatic Steam Traps (continued)

Capacities (Series C and X)

- Determine the differential pressure across the trap (inlet pressure - outlet pressure). On applications where the steam is controlled by a modulating temperature regulator, the trap differential should be 1/2 psi (0.34 bar).
- Determine the capacity based on the differential pressure and the required capacity of the trap to open against the maximum inlet steam pressure.
- Apply a Safety Factor by multiplying required capacity by 1.5.

Capacities (Gross Ratings)

Model	Size in.	Orifice Size in. (mm)	Pressure Differential in Pounds Per Square Inch (bar)																	
			1/4 (0.017)	1/2 (0.035)	1 (0.07)	2 (0.14)	5 (0.35)	10 (0.69)	15 (1.0)	20 (1.4)	25 (1.69)	30 (2.1)	40 (2.8)	50 (3.5)	60 (4.2)	75 (5.2)	100 (6.9)	125 (8.6)	150 (10.4)	175 (12.1)
			Capacities in Pounds of Condensate Per Hour (kg/hr.)																	
FT015C-6	1 1/2	.5 (12.7)	1100 (500)	1700 (770)	2400 (1090)	3300 (1500)	5000 (2270)	6600 (3000)	7600 (3450)											
FT015C-8	2	.687 (17.4)	2300 (1043)	2800 (1270)	3600 (1630)	4650 (2110)	6900 (3130)	9000 (4080)	10,900 (4948)											
FT015X-8	2	.970 (24.6)	6500 (2950)	8000 (3628)	9500 (4310)	10,800 (4900)	15,500 (7030)	20,900 (9480)	24,000 (10,885)											
FT015C-10	2 1/2	1.875 (47.6)	17,000 (7710)	20,000 (9070)	27,000 (12,250)	36,000 (16,330)	46,000 (20,865)	55,000 (24,950)	60,000 (27,210)											
FT030C-6	1 1/2	.390 (10)	1000 (450)	1300 (590)	1700 (770)	2300 (1040)	3400 (1540)	4600 (2085)	5500 (2495)	6000 (2720)	6600 (2995)	7000 (3178)								
FT030C-8	2	.563 (14)	1700 (771)	2500 (1134)	3100 (1406)	4100 (1859)	5800 (2630)	7650 (3470)	9000 (4082)	10,200 (4626)	11,100 (5034)	12,000 (5443)								
FT030X-8	2	.876 (22)	3400 (1543)	4600 (2088)	6400 (2905)	8400 (3813)	12,500 (5675)	16,900 (7672)	19,000 (8626)	21,500 (9761)	23,500 (10,669)	24,000 (10,896)								
FT030C-10	2 1/2	1.625 (41)	14,000 (6356)	17,000 (7718)	20,900 (9488)	25,500 (11,577)	33,200 (15,072)	40,500 (18,387)	45,500 (20,657)	49,400 (22,427)	52,700 (23,925)	55,600 (25,242)								
FT075C-5	1 1/4	.312 (8)	600 (272)	800 (363)	1040 (470)	1410 (640)	2200 (1000)	3100 (1405)	3800 (1725)	4100 (1860)	4500 (2040)	4700 (2130)	5000 (2270)	5300 (2400)	5500 (2500)	5900 (2675)				
FT075C-6	1 1/2	.312 (8)	600 (272)	800 (363)	1040 (470)	1410 (640)	2200 (1000)	3100 (1405)	3800 (1725)	4100 (1860)	4500 (2040)	4700 (2130)	5000 (2270)	5300 (2400)	5500 (2500)	5900 (2675)				
FT075C-8	2	.390 (10)	1000 (453)	1350 (612)	1700 (771)	2150 (975)	2950 (1338)	3600 (1632)	4300 (1950)	4850 (2199)	5400 (2449)	5800 (2630)	6600 (2993)	7200 (3265)	7850 (3560)	8500 (3855)				
FT075X-8	2	.585 (15)	2550 (1156)	3150 (1428)	4300 (1930)	5450 (2472)	7600 (3447)	10,400 (4717)	11,400 (5171)	12,500 (5670)	13,500 (6123)	14,250 (6463)	15,600 (7076)	17,150 (7779)	18,600 (8436)	20,500 (9298)				
FT075C-10	2 1/2	1.031 (26)	5900 (2676)	7700 (3492)	10,000 (4536)	13,000 (5896)	18,600 (8436)	24,200 (10,977)	28,300 (12,836)	31,600 (14,333)	34,400 (15,603)	36,800 (16,692)	41,100 (18,642)	44,800 (20,321)	48,040 (21,790)	52,300 (23,723)				
FT125C-5	1 1/4	.246 (6.2)	430 (195)	540 (245)	700 (320)	940 (425)	1400 (635)	1800 (820)	2200 (1000)	2350 (1065)	2600 (1180)	2800 (1270)	3150 (1430)	3400 (1540)	3500 (1590)	3850 (1750)	4400 (2000)	4800 (2180)		
FT125C-6	1 1/2	.246 (6.2)	430 (195)	540 (245)	700 (320)	940 (425)	1400 (635)	1800 (820)	2200 (1000)	2350 (1065)	2600 (1180)	2800 (1270)	3150 (1430)	3400 (1540)	3500 (1590)	3850 (1750)	4400 (2000)	4800 (2180)		
FT125C-8	2	.294 (7)	730 (331)	900 (408)	1180 (535)	1450 (657)	2000 (907)	2600 (1179)	3100 (1406)	3550 (1610)	3900 (1769)	4250 (1927)	4850 (2199)	5350 (2426)	5850 (2653)	6450 (2925)	7350 (3333)	8150 (3696)		
FT125X-8	2	.448 (11)	2300 (1043)	2800 (1270)	3450 (1564)	4200 (1905)	5450 (2472)	6600 (2993)	7450 (3379)	8050 (3651)	8600 (3900)	8950 (4059)	10,350 (4694)	11,950 (5420)	13,400 (6078)	15,600 (7076)	18,850 (8550)	21,800 (9888)		
FT125C-10	2 1/2	.797 (20)	4000 (1814)	5300 (2404)	6900 (3129)	9100 (4127)	13,000 (5896)	17,100 (7756)	20,000 (9072)	22,400 (10,160)	24,500 (11,113)	26,300 (11,929)	29,400 (13,335)	32,100 (14,560)	34,650 (15,717)	37,600 (17,055)	42,100 (19,096)	46,000 (20,865)		
FT175C-5	1 1/4	.210 (5.3)	260 (120)	350 (160)	480 (220)	640 (290)	940 (425)	1190 (540)	1450 (660)	1560 (710)	1670 (760)	1750 (790)	1910 (865)	2040 (925)	2100 (950)	2300 (1040)	2500 (1135)	2900 (1315)	3140 (1425)	3240 (1470)
FT175C-6	1 1/2	.210 (5.3)	260 (120)	350 (160)	480 (220)	640 (290)	940 (425)	1190 (540)	1450 (660)	1560 (710)	1670 (760)	1750 (790)	1910 (865)	2040 (925)	2100 (950)	2300 (1040)	2500 (1135)	2900 (1315)	3140 (1425)	3240 (1470)
FT175C-8	2	.244 (6)	520 (235)	660 (299)	820 (371)	1050 (476)	1450 (657)	1850 (839)	2250 (1020)	2600 (1179)	2900 (1315)	3100 (1406)	3600 (1632)	4050 (1837)	4400 (1995)	4800 (2177)	5600 (2540)	6250 (2835)	6800 (3084)	7500 (3402)
FT175X-8	2	.375 (10)	2100 (953)	2600 (1180)	3000 (1362)	3500 (1589)	4400 (1997)	4900 (2224)	5350 (2428)	5800 (2633)	6250 (2837)	6700 (3041)	7600 (3450)	8600 (3904)	9550 (4335)	11,000 (4994)	13,000 (5902)	14,750 (6696)	16,500 (7491)	18,000 (8172)
FT175C-10	2 1/2	.688 (17)	2460 (1116)	3350 (1520)	4600 (2088)	6200 (2814)	9400 (4267)	12,800 (5811)	15,400 (6991)	17,500 (7945)	19,300 (8762)	21,000 (9534)	23,800 (10,805)	26,300 (11,940)	28,060 (12,739)	31,600 (14,346)	35,900 (16,298)	39,700 (18,023)	43,100 (19,567)	46,200 (20,974)

Conversion of Previously Manufactured Hoffman Specialty Models to Current Model Numbers

Previously Manufactured			Current Model		
Model No.	NPT Size in.	Part Number	Model No.	NPT Size in.	Part Number
55	3/4	401617	FT015H-3	3/4	404200
55	1	401620	FT015H-4	1	404210
55	1 1/4	401623	FT015H-5	1 1/4	404220
55	1 1/2	401626	FT015H-6	1 1/2	401626
55	2	401629	FT015H-8	2	401629
None	—	—	FT015C-6	1 1/2	404230
None	—	—	FT015C-8	2	404240
None	—	—	FT015X-8	2	404242
None	—	—	FT015C-10	2 1/2	404244
550	1	401632	FT030H-4	1	404212
550	1 1/4	401635	FT030H-5	1 1/4	404222
550	1 1/2	401638	FT030H-6	1 1/2	401638
550	2	401887	FT030C-8	2	401887
551	1	401641	FT075H-4	1	404214
551	1 1/4	401644	FT075C-5	1 1/4	404224
551	1 1/2	401647	FT075C-6	1 1/2	404234
551	2	401890	FT075C-8	2	401890
552	1	401650	FT125H-4	1	404216
552	1 1/4	401653	FT125C-5	1 1/4	404226
552	1 1/2	401656	FT125C-6	1 1/2	404236
552	2	401893	FT125C-8	2	401893
553	1	401659	FT175H-4	1	404218
553	1 1/4	401662	FT175C-5	1 1/4	404228
553	1 1/2	401665	FT175C-6	1 1/2	404238
553	2	401896	FT175C-8	2	401896
590	3/4	401668	FT030H-3	3/4	404202
590	1	401671	FT030H-4	1	404212
590	1 1/2	401674	FT030C-6	1 1/2	404232
590	2	401899	FT030X-8	2	401899
590	2 1/2	401875	FT030C-10	2 1/2	401875
591	3/4	401677	FT075H-3	3/4	404204
591	1	401680	FT075H-4	1	404214
591	1 1/2	401683	FT075C-6	1 1/2	404234
591	2	401902	FT075X-8	2	401902
591	2 1/2	401878	FT075C-10	2 1/2	401878
592	3/4	401686	FT125H-3	3/4	404206
592	1	401689	FT125H-4	1	404216
592	1 1/2	401692	FT125C-6	1 1/2	404236
592	2	401905	FT125X-8	2	401905
592	2 1/2	401881	FT125C-10	2 1/2	401881
593	3/4	401695	FT175H-3	3/4	404208
593	1	401698	FT175H-4	1	404218
593	1 1/4	401701	FT175C-5	1 1/4	404228
593	2	401907	FT175X-8	2	401907
593	2 1/2	401884	FT175C-10	2 1/2	401884

Current Model number designation code example:

Model	Seat Pressure	Series	Size
FT	015	H	3

There are dimensional differences between some current models as compared to previous models. Please refer to dimensional diagrams for each trap.