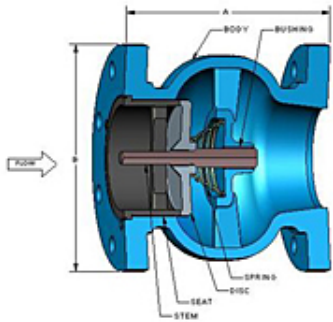


GLC® Cast Iron Body Check Valves

Not recommended for gas or steam service.



Results 1 - 38 of 38

Prod. #	Size	Dimension A	Dimension B	Cv	Temperature Rating	Pressure Rating	Trim
9596V	DN 65 2.5 in	5.50 in 140 mm	7 in 178 mm	110	0 to 180 °F -18 to 82 °C	200 psig 13.8 barg	Bronze
9597V	DN 65 2.5 in	5.50 in 140 mm	7 in 178 mm	110	0 to 200 °F -18 to 93 °C	200 psig 13.8 barg	316 SS
9602V	DN 65 2.5 in	5.50 in 140 mm	7.50 in 191 mm	110	0 to 180 °F -18 to 82 °C	400 psig 27.6 barg	Bronze
9603V	DN 65 2.5 in	5.50 in 140 mm	7.50 in 191 mm	110	0 to 200 °F -18 to 93 °C	400 psig 27.6 barg	316 SS
9620V	DN 80 3 in	6.00 in 152 mm	7.50 in 191 mm	155	0 to 180 °F -18 to 82 °C	200 psig 13.8 barg	Bronze
9621V	DN 80 3 in	6.00 in 152 mm	7.50 in 191 mm	155	0 to 200 °F -18 to 93 °C	200 psig 13.8 barg	316 SS
9626V	DN 80 3 in	6.00 in 152 mm	8.25 in 210 mm	155	0 to 180 °F -18 to 82 °C	400 psig 27.6 barg	Bronze
9627V	DN 80 3 in	6.00 in 152 mm	8.25 in 210 mm	155	0 to 200 °F -18 to 93 °C	400 psig 27.6 barg	316 SS
9644V	DN 100 4 in	7.25 in 184 mm	9 in 229 mm	278	0 to 180 °F -18 to 82 °C	200 psig 13.8 barg	Bronze
9645V	DN 100 4 in	7.25 in 184 mm	9 in 229 mm	278	0 to 200 °F -18 to 93 °C	200 psig 13.8 barg	316 SS
9650V	DN 100 4 in	7.25 in 184 mm	10 in 254 mm	278	0 to 180 °F -18 to 82 °C	400 psig 27.6 barg	Bronze
9651V	DN 100 4 in	7.25 in 184 mm	10 in 254 mm	278	0 to 200 °F -18 to 93 °C	400 psig 27.6 barg	316 SS
9668V	DN 125 5 in	8.50 in 216 mm	10 in 254 mm	435	0 to 180 °F -18 to 82 °C	200 psig 13.8 barg	Bronze
9669V	DN 125 5 in	8.50 in 216 mm	10 in 254 mm	435	0 to 200 °F -18 to 93 °C	200 psig 13.8 barg	316 SS
9674V	DN 125 5 in	8.50 in 216 mm	11 in 279 mm	435	0 to 180 °F -18 to 82 °C	400 psig 27.6 barg	Bronze
9675V	DN 125 5 in	8.50 in 216 mm	11 in 279 mm	435	0 to 200 °F -18 to 93 °C	400 psig 27.6 barg	316 SS
9692V	DN 150 6 in	9.75 in 248 mm	11 in 279 mm	625	0 to 180 °F -18 to 82 °C	200 psig 13.8 barg	Bronze
9693V	DN 150 6 in	9.75 in 248 mm	11 in 279 mm	625	0 to 200 °F -18 to 93 °C	200 psig 13.8 barg	316 SS
9698V	DN 150 6 in	9.75 in 248 mm	12.50 in 318 mm	625	0 to 180 °F -18 to 82 °C	400 psig 27.6 barg	Bronze
9699V	DN 150 6 in	9.75 in 248 mm	12.50 in 318 mm	625	0 to 200 °F -18 to 93 °C	400 psig 27.6 barg	316 SS
9716V	DN 200 8 in	12.50 in 318 mm	13.50 in 343 mm	1115	0 to 180 °F -18 to 82 °C	200 psig 13.8 barg	Bronze

9717V	DN 200 8 in	12.50 in 318 mm	13.50 in 343 mm	1115	0 to 200 °F -18 to 93 °C	200 psig 13.8 barg	316 SS
9722V	DN 200 8 in	12.50 in 318 mm	15 in 381 mm	1115	0 to 180 °F -18 to 82 °C	400 psig 27.6 barg	Bronze
9723V	DN 200 8 in	12.50 in 318 mm	15 in 381 mm	1115	0 to 200 °F -18 to 93 °C	400 psig 27.6 barg	316 SS
9740V	DN 250 10 in	15.50 in 394 mm	16 in 406 mm	1770	0 to 180 °F -18 to 82 °C	200 psig 13.8 barg	Bronze
9741V	DN 250 10 in	15.50 in 394 mm	16 in 406 mm	1770	0 to 200 °F -18 to 93 °C	200 psig 13.8 barg	316 SS
9764V	DN 300 12 in	14.25 in 362 mm	19 in 483 mm	2500	0 to 180 °F -18 to 82 °C	200 psig 13.8 barg	Bronze
9765V	DN 300 12 in	14.25 in 362 mm	19 in 483 mm	2500	0 to 200 °F -18 to 93 °C	200 psig 13.8 barg	316 SS
9784V	DN 350 14 in	15.75 in 400 mm	21 in 533 mm	3400	0 to 180 °F -18 to 82 °C	150 psig 10.3 barg	Bronze
9785V	DN 350 14 in	15.75 in 400 mm	21 in 533 mm	3400	0 to 200 °F -18 to 93 °C	150 psig 10.3 barg	316 SS
9804V	DN 400 16 in	17.63 in 448 mm	23.50 in 597 mm	4400	0 to 180 °F -18 to 82 °C	150 psig 10.3 barg	Bronze
9805V	DN 400 16 in	17.63 in 448 mm	23.50 in 597 mm	4400	0 to 200 °F -18 to 93 °C	150 psig 10.3 barg	316 SS
9824V	DN 450 18 in	18.75 in 476 mm	25 in 635 mm	5600	0 to 180 °F -18 to 82 °C	150 psig 10.3 barg	Bronze
9825V	DN 450 18 in	18.75 in 476 mm	25 in 635 mm	5600	0 to 200 °F -18 to 93 °C	150 psig 10.3 barg	316 SS
9840V	DN 500 20 in	20.63 in 524 mm	27.50 in 699 mm	6900	0 to 180 °F -18 to 82 °C	150 psig 10.3 barg	Bronze
9841V	DN 500 20 in	20.63 in 524 mm	27.50 in 699 mm	6900	0 to 200 °F -18 to 93 °C	150 psig 10.3 barg	316 SS
9856V	DN 600 24 in	24 in 610 mm	32 in 813 mm	10000	0 to 180 °F -18 to 82 °C	150 psig 10.3 barg	Bronze
9857V	DN 600 24 in	24 in 610 mm	32 in 813 mm	10000	0 to 200 °F -18 to 93 °C	150 psig 10.3 barg	316 SS

Results 1 - 38 of 38