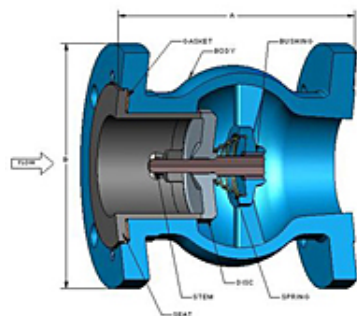


GLC® Flanged Check Valves



The DFT® Model GLC® Silent Check Valve is a spring-assisted, center guided, in-line, flanged check valve that provides reliable, low maintenance service for a wide range of fluids and pressure/temperature combinations. The valve consists of a body, seat, spring, disc with stem and guide bushing. Some valves have body or gasket seals. The DFT® GLC® check valve has the advantage of minimum pressure loss with silent, non-slam operation.

Results 1 - 114 of 114

Prod. #	Class	Size	Dimension A	Dimension B	Cv	Cracking Pressure CP	Body
9503	150 RF	DN 25 1 in	4.50 in 114 mm	4.25 in 108 mm	17	0.85 psig 0.059 bar	A216 Grade WCB
9551	150 RF	DN 40 1.5 in	5.75 in 146 mm	5.00 in 127 mm	35	0.29 psig 0.020 bar	A216 Grade WCB
9575-2	150 RF	DN 50 2 in	6.25 in 159 mm	6.00 in 152 mm	63	0.29 psig 0.020 bar	A216 Grade WCB
9599-1	150 RF	DN 65 2.5 in	7.00 in 178 mm	7 in 178 mm	100	0.18 psig 0.012 bar	A216 Grade WCB
9623-2	150 RF	DN 80 3 in	7.50 in 191 mm	7.50 in 191 mm	148	0.20 psig 0.014 bar	A216 Grade WCB
9647-1	150 RF	DN 100 4 in	8.50 in 216 mm	9 in 229 mm	260	0.49 psig 0.034 bar	A216 Grade WCB
9671	150 RF	DN 125 5 in	9.50 in 241 mm	10 in 254 mm	415	0.28 psig 0.019 bar	A216 Grade WCB
9695-2	150 RF	DN 150 6 in	10 in 254 mm	11 in 279 mm	620	0.41 psig 0.028 bar	A216 Grade WCB
9719-1	150 RF	DN 200 8 in	12 in 305 mm	13.50 in 343 mm	1030	0.41 psig 0.028 bar	A216 Grade WCB
9743-1	150 RF	DN 250 10 in	14 in 356 mm	16 in 406 mm	1630	0.55 psig 0.038 bar	A216 Grade WCB
9767-1	150 RF	DN 300 12 in	18 in 457 mm	19 in 483 mm	2370	0.47 psig 0.032 bar	A216 Grade WCB
9787-1	150 RF	DN 350 14 in	21 in 533 mm	21 in 533 mm	3500	0.52 psig 0.036 bar	A216 Grade WCB
9807-1	150 RF	DN 400 16 in	22.50 in 572 mm	23.50 in 597 mm	5100	0.51 psig 0.035 bar	A216 Grade WCB
9827-1	150 RF	DN 450 18 in	24 in 610 mm	25 in 635 mm	6400	0.59 psig 0.041 bar	A216 Grade WCB
9843-1	150 RF	DN 500 20 in	24 in 610 mm	27.50 in 699 mm	7700	0.49 psig 0.034 bar	A216 Grade WCB
9859	150 RF	DN 600 24 in	28 in 711 mm	32 in 813 mm	11100	0.44 psig 0.030 bar	A216 Grade WCB
9509	300 RF	DN 25 1 in	4.75 in 121 mm	4.88 in 124 mm	19	0.85 psig 0.059 bar	A216 Grade WCB
9557	300 RF	DN 40 1.5 in	6.00 in 152 mm	6.13 in 156 mm	35	0.29 psig 0.020 bar	A216 Grade WCB
9581-3	300 RF	DN 50 2 in	6.25 in 159 mm	6.50 in 165 mm	63	0.29 psig 0.020 bar	A216 Grade WCB
9605-1	300 RF	DN 65 2.5 in	7.25 in 184 mm	7.50 in 191 mm	100	0.18 psig 0.012 bar	A216 Grade WCB
9629-2	300 RF	DN 80 3 in	7.88 in 200 mm	8.25 in 210 mm	148	0.20 psig 0.014 bar	A216 Grade WCB

9653-1	300 RF	DN 100 4 in	9.13 in 232 mm	10 in 254 mm	267	0.48 psig 0.033 bar	A216 Grade WCB
9677	300 RF	DN 125 5 in	10.38 in 264 mm	11 in 279 mm	415	0.28 psig 0.019 bar	A216 Grade WCB
9701-1	300 RF	DN 150 6 in	11 in 279 mm	12.50 in 318 mm	620	0.39 psig 0.027 bar	A216 Grade WCB
9725-1	300 RF	DN 200 8 in	13 in 330 mm	15 in 381 mm	933	0.45 psig 0.031 bar	A216 Grade WCB
9749-1	300 RF	DN 250 10 in	15.38 in 391 mm	17.50 in 445 mm	1704	0.52 psig 0.036 bar	A216 Grade WCB
9773-1	300 RF	DN 300 12 in	19.50 in 495 mm	20.50 in 521 mm	2370	0.49 psig 0.034 bar	A216 Grade WCB
9793-1	300 RF	DN 350 14 in	23 in 584 mm	23 in 584 mm	2781	0.43 psig 0.030 bar	A216 Grade WCB
9813	300 RF	DN 400 16 in	24 in 610 mm	25.50 in 648 mm	5100	0.59 psig 0.041 bar	A216 Grade WCB
9831	300 RF	DN 450 18 in	24 in 610 mm	30.88 in 784 mm	6400	0.59 psig 0.041 bar	A216 Grade WCB
9849-1	300 RF	DN 500 20 in	24 in 610 mm	30.50 in 775 mm	7700	0.55 psig 0.038 bar	A216 Grade WCB
9517-1	300 RF	DN 600 24 in	28 in 711 mm	36 in 914 mm	10510	0.46 psig 0.032 bar	A216 Grade WCB
9513	600 RF	DN 25 1 in	5.25 in 133 mm	4.88 in 124 mm	17	0.85 psig 0.059 bar	A216 Grade WCB
9561	600 RF	DN 40 1.5 in	6.63 in 168 mm	6.13 in 156 mm	35	0.29 psig 0.020 bar	A216 Grade WCB
9585-1	600 RF	DN 50 2 in	7.25 in 184 mm	6.50 in 165 mm	63	0.29 psig 0.020 bar	A216 Grade WCB
9633-1	600 RF	DN 80 3 in	8.63 in 219 mm	8.25 in 210 mm	125	0.41 psig 0.028 bar	A216 Grade WCB
9657	600 RF	DN 100 4 in	10.13 in 257 mm	10.75 in 273 mm	237	0.54 psig 0.037 bar	A216 Grade WCB
9705-1	600 RF	DN 150 6 in	12.38 in 314 mm	14 in 356 mm	549	0.46 psig 0.032 bar	A216 Grade WCB
9729-2	600 RF	DN 200 8 in	14.63 in 372 mm	16.50 in 419 mm	933	0.45 psig 0.031 bar	A216 Grade WCB
9753	600 RF	DN 250 10 in	17.13 in 435 mm	20 in 508 mm	1620	0.35 psig 0.024 bar	A216 Grade WCB
9777	600 RF	DN 300 12 in	21.25 in 540 mm	22 in 559 mm	2272	0.41 psig 0.028 bar	A216 Grade WCB
9817	600 RF	DN 400 16 in	26 in 660 mm	27 in 686 mm	5100	0.59 psig 0.041 bar	A216 Grade WCB
9565-1	900 RF	DN 40 1.5 in	7.38 in 187 mm	7 in 178 mm	26	0.64 psig 0.044 bar	A216 Grade WCB
9589-1	900 RF	DN 50 2 in	8.25 in 210 mm	8.50 in 216 mm	46	0.32 psig 0.022 bar	A216 Grade WCB
9617	900 RF	DN 65 2.5 in	9 in 229 mm	9.63 in 245 mm	81	0.11 psig 0.008 bar	A216 Grade WCB
9637	900 RF	DN 80 3 in	9.13 in 232 mm	9.50 in 241 mm	114	0.26 psig 0.018 bar	A216 Grade WCB
9661-2	900 RF	DN 100 4 in	10.63 in 270 mm	11.50 in 292 mm	217	0.49 psig 0.034 bar	A216 Grade WCB
9709-2	900 RF	DN 150 6 in	13 in 330 mm	15 in 381 mm	549	0.46 psig 0.032 bar	A216 Grade WCB
9733-1	900 RF	DN 200 8 in	15.25 in 387 mm	18.50 in 470 mm	851	0.5 psig 0.034 bar	A216 Grade WCB
9757-1	900 RF	DN 250 10 in	17.63 in 448 mm	21.50 in 546 mm	1499	0.64 psig 0.044 bar	A216 Grade WCB
9565-1	1500 RF	DN 40 1.5 in	7.38 in 187 mm	7 in 178 mm	26	0.40 psig 0.028 bar	A216 Grade WCB
9589-1	1500 RF	DN 50 2 in	8.25 in 210 mm	8.50 in 216 mm	46	0.32 psig 0.022 bar	A216 Grade WCB
9617	1500 RF	DN 65 2.5 in	9 in 229 mm	9.63 in 245 mm	81	0.11 psig 0.008 bar	A216 Grade WCB
9641	1500 RF	DN 80 3 in	9.89 in 251 mm	10.50 in 267 mm	114	0.052 psig 0.004 bar	A216 Grade WCB

9665-1	1500 RF	DN 100 4 in	11.38 in 289 mm	12.25 in 311 mm	192	0.067 psig 0.005 bar	A216 Grade WCB
9713-1	1500 RF	DN 150 6 in	15.13 in 384 mm	15.50 in 394 mm	441	0.42 psig 0.029 bar	A216 Grade WCB
9737-1	1500 RF	DN 200 8 in	17.50 in 445 mm	19 in 483 mm	742	0.55 psig 0.038 bar	A216 Grade WCB
9760	1500 RF	DN 250 10 in	23 in 584 mm	23 in 584 mm	1231	0.53 psig 0.037 bar	A216 Grade WCB
9505	150 RF	DN 25 1 in	4.50 in 114 mm	4.25 in 108 mm	17	0.85 psig 0.059 bar	A351 CF8M
9553	150 RF	DN 40 1.5 in	5.75 in 146 mm	5.00 in 127 mm	35	0.29 psig 0.020 bar	A351 CF8M
9577-2	150 RF	DN 50 2 in	6.25 in 159 mm	6.00 in 152 mm	63	0.29 psig 0.020 bar	A351 CF8M
9601-1	150 RF	DN 65 2.5 in	7.00 in 178 mm	7 in 178 mm	100	0.18 psig 0.012 bar	A351 CF8M
9625-2	150 RF	DN 80 3 in	7.50 in 191 mm	7.50 in 191 mm	148	0.20 psig 0.014 bar	A351 CF8M
9649-1	150 RF	DN 100 4 in	8.50 in 216 mm	9 in 229 mm	260	0.49 psig 0.034 bar	A351 CF8M
9673	150 RF	DN 125 5 in	9.50 in 241 mm	10 in 254 mm	415	0.28 psig 0.019 bar	A351 CF8M
9697-2	150 RF	DN 150 6 in	10 in 254 mm	11 in 279 mm	620	0.41 psig 0.028 bar	A351 CF8M
9721-1	150 RF	DN 200 8 in	12 in 305 mm	13.50 in 343 mm	1030	0.41 psig 0.028 bar	A351 CF8M
9745-1	150 RF	DN 250 10 in	14 in 356 mm	16 in 406 mm	1630	0.55 psig 0.038 bar	A351 CF8M
9769-1	150 RF	DN 300 12 in	18 in 457 mm	19 in 483 mm	2370	0.47 psig 0.032 bar	A351 CF8M
9789-1	150 RF	DN 350 14 in	21 in 533 mm	21 in 533 mm	3500	0.52 psig 0.036 bar	A351 CF8M
9809-1	150 RF	DN 400 16 in	22.50 in 572 mm	23.50 in 597 mm	5100	0.51 psig 0.035 bar	A351 CF8M
9829-1	150 RF	DN 450 18 in	24 in 610 mm	25 in 635 mm	6400	0.59 psig 0.041 bar	A351 CF8M
9845-1	150 RF	DN 500 20 in	24 in 610 mm	27.50 in 699 mm	7700	0.49 psig 0.034 bar	A351 CF8M
9861	150 RF	DN 600 24 in	28 in 711 mm	32 in 813 mm	11100	0.44 psig 0.030 bar	A351 CF8M
9511	300 RF	DN 25 1 in	4.75 in 121 mm	4.88 in 124 mm	19	0.85 psig 0.059 bar	A351 CF8M
9559	300 RF	DN 40 1.5 in	6.00 in 152 mm	6.13 in 156 mm	35	0.29 psig 0.020 bar	A351 CF8M
9583-3	300 RF	DN 50 2 in	6.25 in 159 mm	6.50 in 165 mm	63	0.29 psig 0.020 bar	A351 CF8M
9607-1	300 RF	DN 65 2.5 in	7.25 in 184 mm	7.50 in 191 mm	100	0.18 psig 0.012 bar	A351 CF8M
9631-2	300 RF	DN 80 3 in	7.88 in 200 mm	8.25 in 210 mm	148	0.20 psig 0.014 bar	A351 CF8M
9655-1	300 RF	DN 100 4 in	9.13 in 232 mm	10 in 254 mm	267	0.48 psig 0.033 bar	A351 CF8M
9679	300 RF	DN 125 5 in	10.38 in 264 mm	11 in 279 mm	415	0.28 psig 0.019 bar	A351 CF8M
9703-1	300 RF	DN 150 6 in	11 in 279 mm	12.50 in 318 mm	620	0.39 psig 0.027 bar	A351 CF8M
9727-1	300 RF	DN 200 8 in	13 in 330 mm	15 in 381 mm	933	0.45 psig 0.031 bar	A351 CF8M
9751-1	300 RF	DN 250 10 in	15.38 in 391 mm	17.50 in 445 mm	1704	0.52 psig 0.036 bar	A351 CF8M
9775-1	300 RF	DN 300 12 in	19.50 in 495 mm	20.50 in 521 mm	2370	0.49 psig 0.034 bar	A351 CF8M
9795-1	300 RF	DN 350 14 in	23 in 584 mm	23 in 584 mm	2781	0.43 psig 0.030 bar	A351 CF8M
9815	300 RF	DN 400 16 in	24 in 610 mm	25.50 in 648 mm	5100	0.59 psig 0.041 bar	A351 CF8M

9833	300 RF	DN 450 18 in	24 in 610 mm	30.88 in 784 mm	6400	0.59 psig 0.041 bar	A351 CF8M
9851-1	300 RF	DN 500 20 in	24 in 610 mm	30.50 in 775 mm	7700	0.55 psig 0.038 bar	A351 CF8M
9515	600 RF	DN 25 1 in	5.25 in 133 mm	4.88 in 124 mm	17	0.85 psig 0.059 bar	A351 CF8M
9563	600 RF	DN 40 1.5 in	6.63 in 168 mm	6.13 in 156 mm	35	0.29 psig 0.020 bar	A351 CF8M
9587-1	600 RF	DN 50 2 in	7.25 in 184 mm	6.50 in 165 mm	63	0.29 psig 0.020 bar	A351 CF8M
9635-1	600 RF	DN 80 3 in	8.63 in 219 mm	8.25 in 210 mm	125	0.41 psig 0.028 bar	A351 CF8M
9659	600 RF	DN 100 4 in	10.13 in 257 mm	10.75 in 273 mm	237	0.54 psig 0.037 bar	A351 CF8M
9707-1	600 RF	DN 150 6 in	12.38 in 314 mm	14 in 356 mm	549	0.46 psig 0.032 bar	A351 CF8M
9731-2	600 RF	DN 200 8 in	14.63 in 372 mm	16.50 in 419 mm	933	0.45 psig 0.031 bar	A351 CF8M
9755	600 RF	DN 250 10 in	17.13 in 435 mm	20 in 508 mm	1620	0.35 psig 0.024 bar	A351 CF8M
9779	600 RF	DN 300 12 in	21.25 in 540 mm	22 in 559 mm	2272	0.41 psig 0.028 bar	A351 CF8M
9819	600 RF	DN 400 16 in	26 in 660 mm	27 in 686 mm	5100	0.59 psig 0.041 bar	A351 CF8M
9571	900 RF	DN 40 1.5 in	7.38 in 187 mm	7 in 178 mm	26	0.64 psig 0.044 bar	A351 CF8M
9595-1	900 RF	DN 50 2 in	8.25 in 210 mm	8.50 in 216 mm	46	0.32 psig 0.022 bar	A351 CF8M
9619	900 RF	DN 65 2.5 in	9 in 229 mm	9.63 in 245 mm	81	0.11 psig 0.008 bar	A351 CF8M
9639	900 RF	DN 80 3 in	9.13 in 232 mm	9.50 in 241 mm	114	0.26 psig 0.018 bar	A351 CF8M
9711-2	900 RF	DN 150 6 in	13 in 330 mm	15 in 381 mm	549	0.46 psig 0.032 bar	A351 CF8M
9735-1	900 RF	DN 200 8 in	15.25 in 387 mm	18.50 in 470 mm	851	0.5 psig 0.034 bar	A351 CF8M
9759	900 RF	DN 250 10 in	17.63 in 448 mm	21.50 in 546 mm	1499	0.64 psig 0.044 bar	A351 CF8M
9571	1500 RF	DN 40 1.5 in	7.38 in 187 mm	7 in 178 mm	26	0.40 psig 0.028 bar	A351 CF8M
9595-1	1500 RF	DN 50 2 in	8.25 in 210 mm	8.50 in 216 mm	46	0.32 psig 0.022 bar	A351 CF8M
9619	1500 RF	DN 65 2.5 in	9 in 229 mm	9.63 in 245 mm	81	0.11 psig 0.008 bar	A351 CF8M
9643	1500 RF	DN 80 3 in	9.89 in 251 mm	10.50 in 267 mm	114	0.052 psig 0.004 bar	A351 CF8M
9667-1	1500 RF	DN 100 4 in	11.38 in 289 mm	12.25 in 311 mm	192	0.067 psig 0.005 bar	A351 CF8M
9715-1	1500 RF	DN 150 6 in	15.13 in 384 mm	15.50 in 394 mm	441	0.42 psig 0.029 bar	A351 CF8M
9739-1	1500 RF	DN 200 8 in	17.50 in 445 mm	19 in 483 mm	742	0.55 psig 0.038 bar	A351 CF8M
9762	1500 RF	DN 250 10 in	23 in 584 mm	23 in 584 mm	1231	0.53 psig 0.037 bar	A351 CF8M

Results 1 - 114 of 114