

Clark-Reliance

GAGE COCKS (TRYCOCKS) THREE STYLES • MAXIMUM PRESSURES 150 PSI TO 1500 PSI

BRONZE BODY, CHAIN OPERATED GAGE COCKS: PRESSURES TO 450 PSI

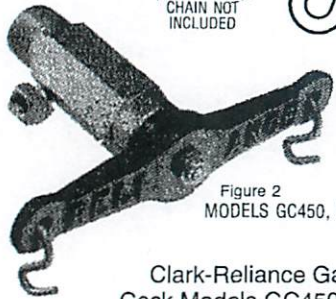
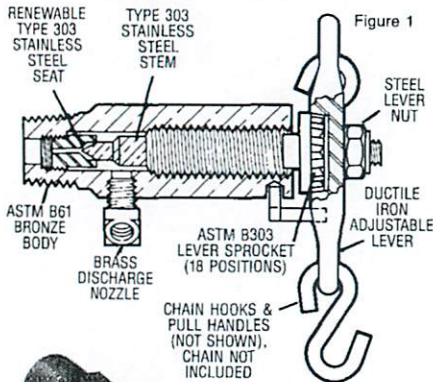


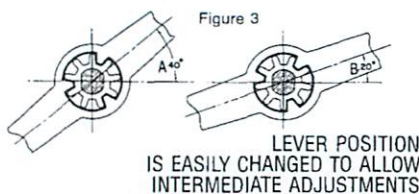
Figure 2
MODELS GC450, GC451

Clark-Reliance Gage Cock Models GC450 and GC451 feature a stainless

steel stem and seat component to assure positive seating and long service life. Integral stem discs are precision-machined to glass smooth finishes.

- Available In $\frac{1}{2}$ " NPT And $\frac{3}{4}$ " NPT Models
- Pull Left Hand Chain To Open, Right Hand Chain To Close
- Multiple-Thread Stem Design Provides Fast Response
- Integral "Stop" Prevents Dead-Center Vertical Lever Position
- Discharge Nozzle Directs Steam/Water Away From Operator

18-Position Lever



Eighteen positive, non-slip lever positions offer a correct lever angle regardless of the stem's position when turned tight. Geared sprockets fit onto flat-sided stem ends. Lever gears nest securely into sprocket gears. Stem nut secures the lever.

STAINLESS STEEL, CHAIN OPERATED GAGE COCKS: PRESSURES TO 1500 PSI

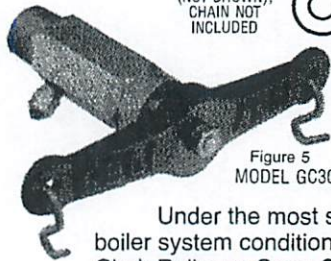
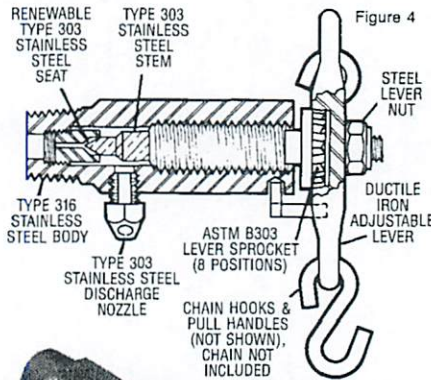


Figure 5
MODEL GC302

Under the most severe boiler system conditions, Clark-Reliance Gage Cock

Model GC302 dependably resists the damaging cutting action of steam and water. Reliability and long service life are the results of quality materials, precision manufacturing and 150% hydrostatic testing of each unit.

- Available In $\frac{3}{4}$ " NPT Model Only
- Pull Left Hand Chain To Open, Right Hand To Close
- Integral "Stop" Prevents Dead-Center Vertical Lever Position
- Stainless Steel Seat Is Precision-Machined In An Exclusive Clark-Reliance Process
- Seat Is Sealed Tight In The Shank With $\frac{1}{8}$ " Pipe Thread – Easily Renewable
- Multiple Thread Stem Opens/Closes In $\frac{1}{4}$ Turn And Can Not Unscrew Under Pressure
- Discharge Nozzle Directs Steam/Water Away From Operator



Figure 6

"STOP" PREVENTS DEAD-CENTER VERTICAL POSITION

The multi-slotted operating lever allows a wide choice of open/closed positions. Each lever position is held in a non-slip design of nesting sprocket and lever gears, secured by a stem nut.

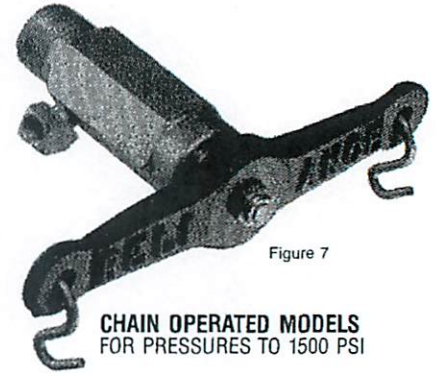


Figure 7

CHAIN OPERATED MODELS FOR PRESSURES TO 1500 PSI



Figure 8

CHAIN/WEIGHT OPERATED MODELS FOR PRESSURES TO 250 PSI

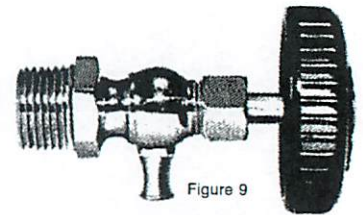


Figure 9

HAND WHEEL OPERATED MODELS FOR PRESSURES TO 150 PSI AT FLOOR LEVEL LOCATIONS

BRONZE BODY, CHAIN & WEIGHT OPERATED GAGE COCKS FOR MAXIMUM PRESSURES TO 250 PSI

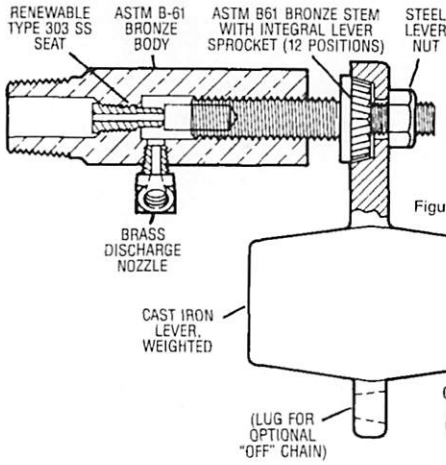


Figure 10



MODELS GC310, GC311 Figure 11

RUSTPROOF, LIGHTWEIGHT STEEL CHAIN IS RECOMMENDED. TOTAL CHAIN WEIGHT MUST NOT ALLOW GAGE COCK TO OPEN.

The Clark-Reliance weighted gage cock is a high performance self-closing unit that provides leak-proof operation at moderate pressures.

- Available In 1/2" NPT And 3/4" NPT Models
- Pull Chain To Open, Release Chain To Close
- Precise Weight Distribution For Tight Shut-Off

- Twelve-Position Weight Lever Allows Best Location
- Weight Lug Allows For Use Of Optional Shut-Off Chain
- Accepts Maximum "Open" Chain Length Of 25-Feet (Unless "Open" Chain Is Also Attached To "Closed" Weight Lug)
- Discharge Nozzle Directs Steam/Water Away From Operator

CLARK-RELIANCE GAGE COCKS • MODEL SELECTION GUIDE

MODEL	SIZE NPT	OPERATION	MAX PRESSURE	FIGURE NO.
GC302	3/4"	Chain Lever	1500 PSI	4, 5
GC450	1/2"	Chain Lever	450 PSI	1, 2, 7
GC451	3/4"	Chain Lever	450 PSI	1, 2, 7
GC310	1/2"	Chain/Weight	250 PSI	8, 10, 11
GC311	3/4"	Chain/Weight	250 PSI	8, 10, 11
GC306	1/2"	Hand Wheel	150 PSI	9, 12, 13
GC307	3/4"	Hand Wheel	150 PSI	9, 12, 13

BRASS BODY, HAND OPERATED GAGE COCKS FOR MAXIMUM PRESSURES TO 150 PSI AT FLOOR LEVEL LOCATIONS

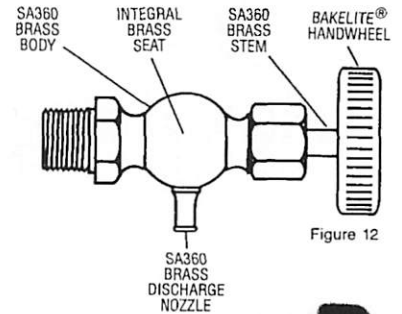
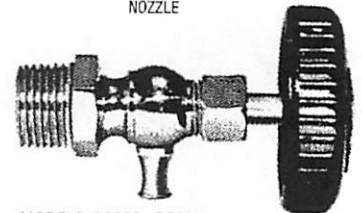


Figure 12



MODELS GC306, GC307

Figure 13

The Clark-Reliance Hand Wheel Gage Cock is designed specifically for floor level columns in low pressure systems. Time-tested design and manufacturing assure dependable performance. Available in 1/2" NPT and 3/4" NPT models.

SPECIFY GENUINE CLARK-RELIANCE REPLACEMENT PARTS

Rely on only genuine Clark-Reliance replacement parts, furnished from the same stocks from which your original gage cock was factory assembled. Replacement parts are illustrated in our Instruction Manual, or contact your nearest Clark-Reliance representative for information.

For additional information,
contact your local Clark-Reliance
representative

Clark-Reliance