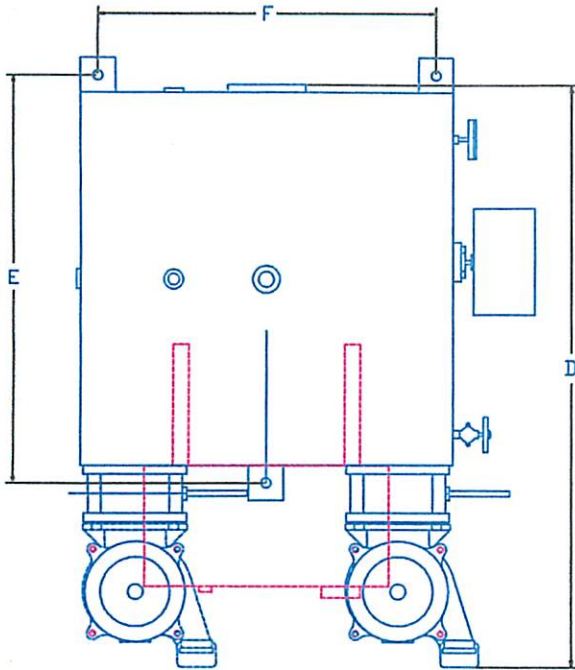
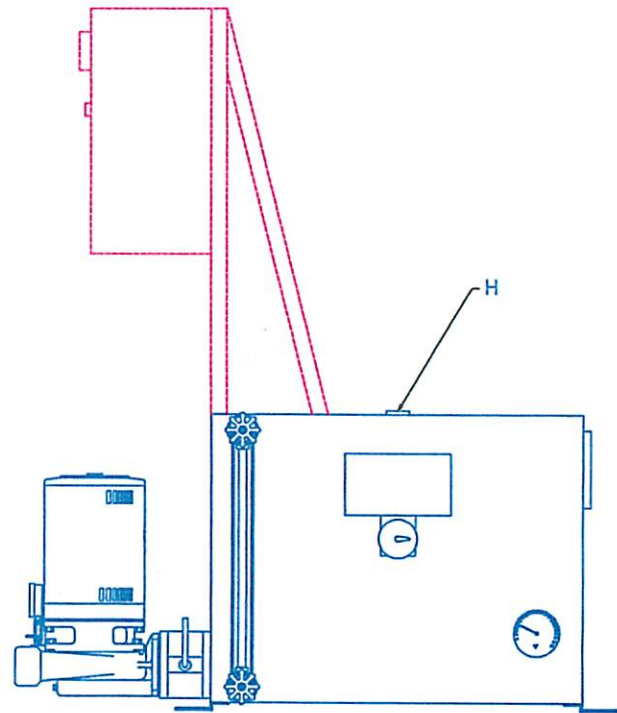
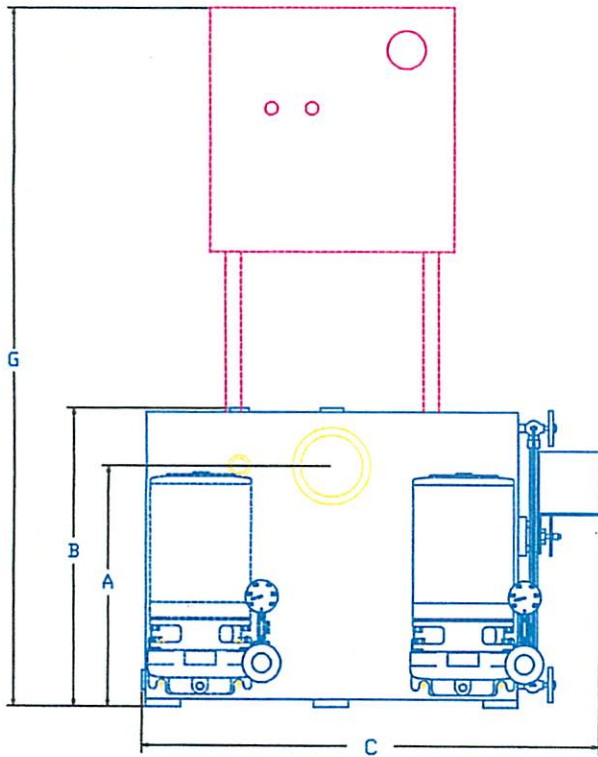


Dimensional Data



OPTIONAL CONTROL PANEL
 Includes:
 NEMA 4/12 Enclosure
 Main thru door disconnect
 2 Green illuminated TOA switches
 2 magnetic starters with overloads
 Multi tap transformer
 Primary & secondary circuit breakers
 Terminal Strip
 Mounted and wired

NOTE: IF ISOLATION VALVES ARE NOT
 REQUIRED SUBTRACT 3 1/4" FROM THE
 "D" DIMENSION.



Rec Cap Gal.	Inlet Size	A Inlet Height	B	C	D	E	F	G	H VENT
10	2	9	12	24	27 1/4	16 1/4	15 3/4	27 3/4	1
24	4	15 1/2	19 1/4	24	33 1/4	22 1/4	15 3/4	35	1
44	4	15 1/2	19 1/4	29 1/2	37 1/4	26 1/4	21 3/4	35	1
70	4	15 1/2	19 1/4	36	43 1/4	32 1/4	27 3/4	35	1
100	4	15 1/2	19 1/4	42	49 1/4	38 1/4	33 3/4	35	1