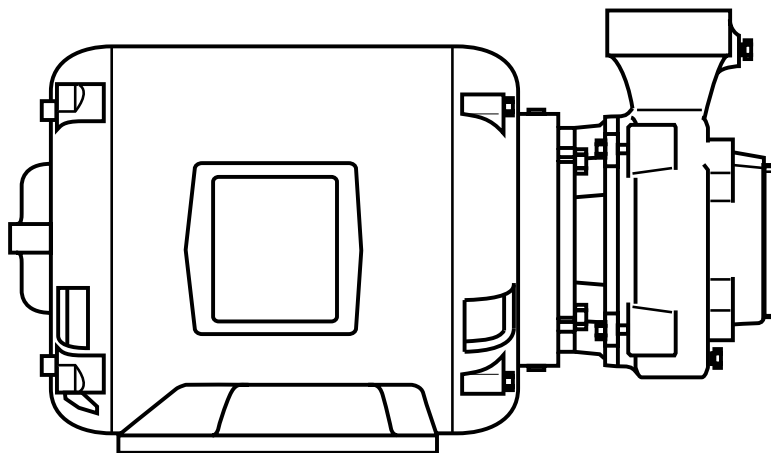


# 320A SERIES REPAIR PARTS INDEX



READ AND UNDERSTAND THE PUMP AND MOTOR  
INSTRUCTIONS BEFORE ATTEMPTING TO INSTALL,  
DISASSEMBLE OR REPAIR THE PUMP

**320 SERIES**  
**MODELS 321 - 323- 324A**

**TABLE OF CONTENTS**

<b>PUMP MODEL</b>	<b>DESCRIPTION</b>	<b>PAGE</b>
321	EXPLODED VIEW AND PIECE NUMBERS .....	3
323	EXPLODED VIEW AND PIECE NUMBERS .....	4
324A	EXPLODED VIEW AND PIECE NUMBERS .....	5
321	PARTS LIST .....	6 & 7
323	PARTS LIST .....	6 & 7
324A	PARTS LIST .....	6 & 7

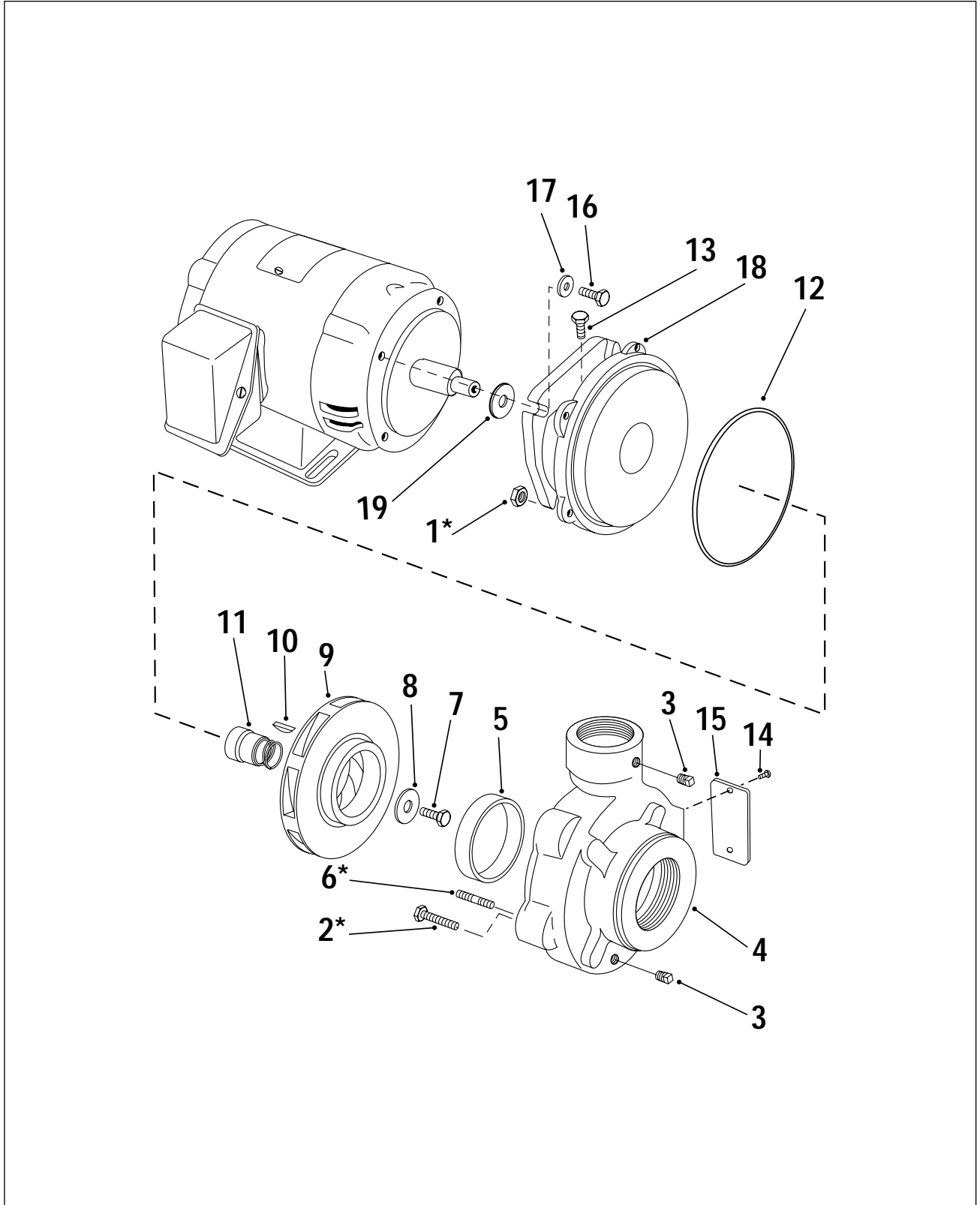
**Notes:**

1) Model 323 Pumps are not available in all bronze (A.B.) or stainless steel (S.S.) construction.

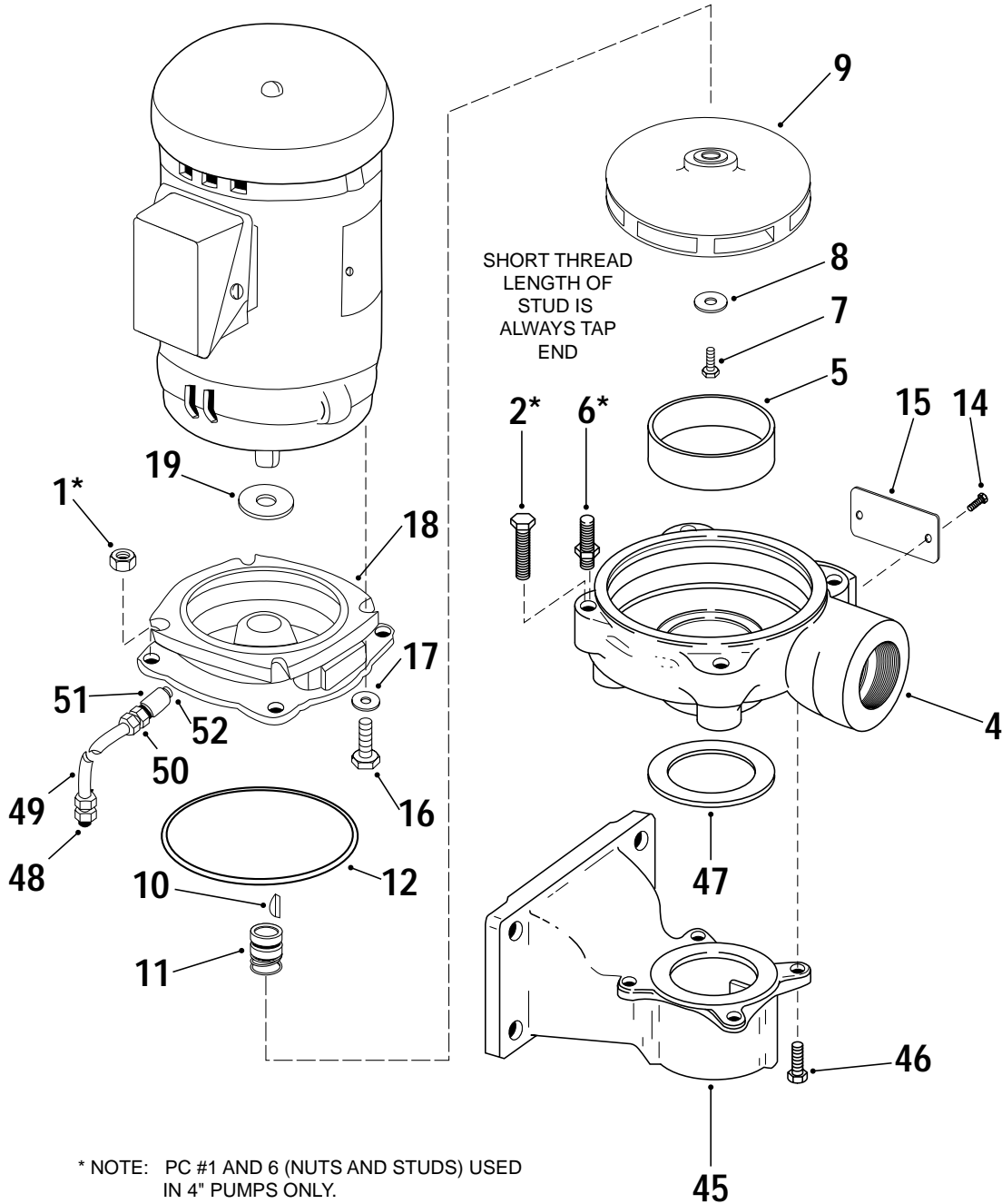
2) Pump sizes 1-1/2 x 2 x 4, 3/4 x 1 x 6A, 3/4 x 1 x 7A, 3/4 x 1 x 7B and 1-1/4 x 1-1/2 x 9 not available in all iron construction.

**320 SERIES**  
**MODEL 321**  
**PIECE NUMBERS**

SECTION 320P PAGE 3  
DATED FEBRUARY 1999  
SUPERSEDES 320P PAGE 3  
DATED JUNE 1998

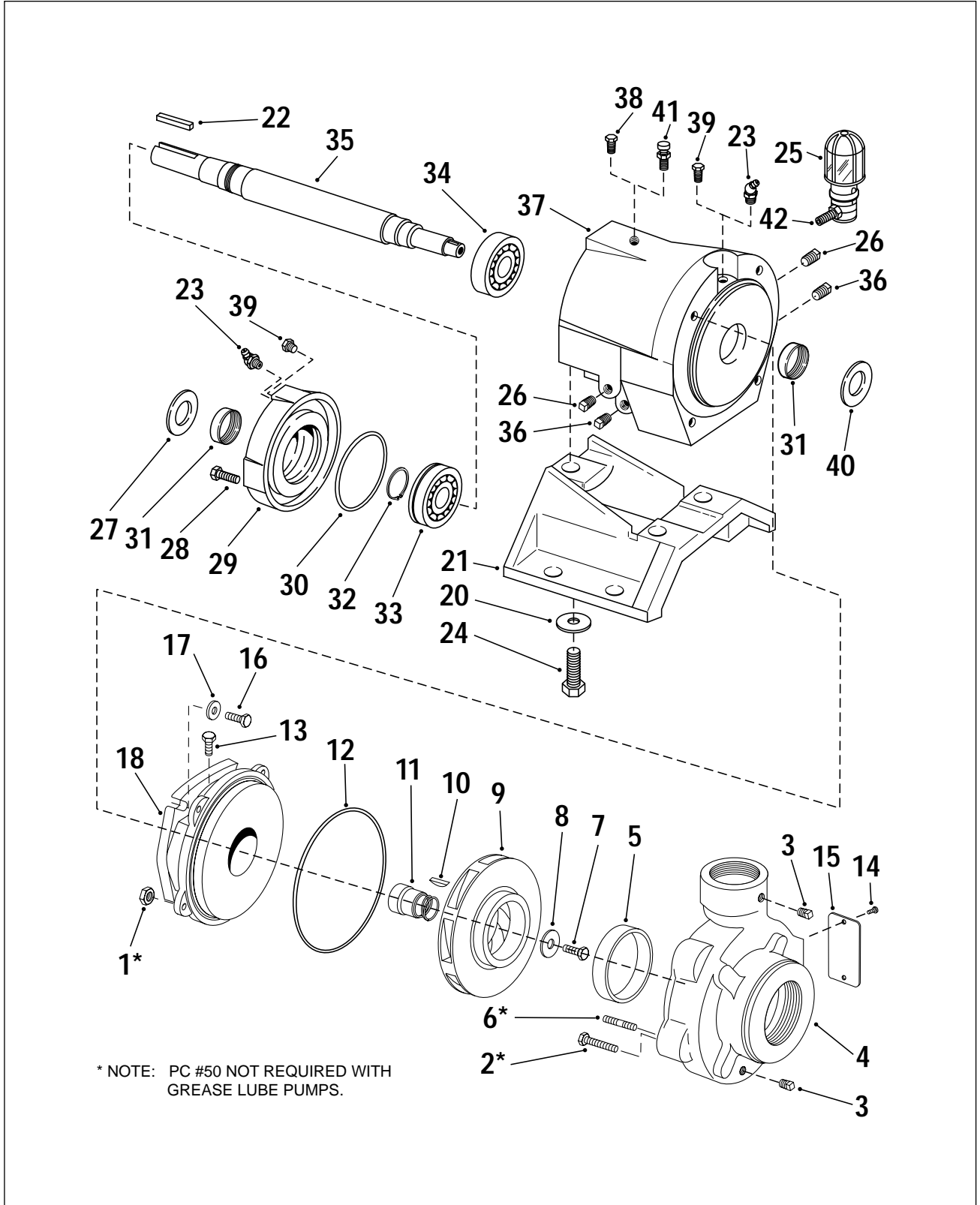


MODEL 323  
PIECE NUMBERS



\* NOTE: PC #1 AND 6 (NUTS AND STUDS) USED IN 4" PUMPS ONLY.  
PC #2 (CAPSCREWS) USED IN 5", 6", 7" AND 9" PUMPS.

MODEL 324A  
PIECE NUMBERS



\* NOTE: PC #50 NOT REQUIRED WITH GREASE LUBE PUMPS.

**320 SERIES**  
**MODELS 321 - 323- 324A**  
**4" - 5" - 6" - 7" - 9"**

**PARTS LIST**

PC. NO.	DESCRIPTION	QTY	PART NO.	MATERIAL			
				B.F.	A.B.	A.I.	S.S.
1	NUT - 4"	4	544-0109	080	190	080	104
2	CAPSCREW - 5, 6"	4	168-0380	082	190	082	104
	CAPSCREW - 7, 9"	4	168-0488	082	190	082	104
3	PLUG	2	600-0002	087	190	087	104
4	CASING MODEL 321 & 324A PUMPS						
	1 x 1-1/4 x 4	1	180-1520	010	208	010	
	1-1/2 x 2 x 4	1	180-1527	010	208	N/A	
	2 x 2-1/2 x 4	1	180-1530	010	208	010	
	1 x 1-1/4 x 5	1	180-1521	010	208	010	104
	1-1/4 x 1-1/2 x 5	1	180-1523	010	208	010	104
	2 x 2-1/2 x 5	1	180-1531	010	208	010	104
	3/4 x 1 x 6A	1	180-2297	010	208	N/A	
	1 x 1-1/4 x 6	1	180-1522	010	208	010	
	2 x 2-1/2 x 6	1	180-1532	010	208	010	104
	3 x 3 x 6	1	180-1534	010	208	010	104
	3/4 x 1 x 7A & 7B	1	180-1519	010	208	N/A	
	1-1/4 x 1-1/2 x 7A (3500)	1	180-1524	010	208	010	104
	1-1/4 x 1-1/2 x 7B (1750)	1	180-1525	010	208	010	
	1-1/2 x 2 x 7	1	180-1528	010	208	010	
	2 x 2-1/2 x 7	1	180-1533	010	208	010	104
1-1/4 x 1-1/2 x 9	1	180-1526	010	208	N/A		
4	CASING MODEL 323 PUMPS						
	1 x 1-1/4 x 4	1	180-1541	010		010	
	1-1/2 x 2 x 4	1	180-1548	010		N/A	
	2 x 2-1/2 x 4	1	180-1551	010		010	
	1 x 1-1/4 x 5	1	180-1542	010		010	
	1-1/4 x 1-1/2 x 5	1	180-1544	010		010	
	2 x 2-1/2 x 5	1	180-1552	010		010	
	3/4 x 1 x 6A	1	180-2298	010		N/A	
	1-1/4 x 1 x 6	1	180-1543	010		010	
	2 x 2-1/2 x 6	1	180-1553	010		010	
	3 x 3 x 6	1	180-1555	010		010	
	3/4 x 1 x 7A & 7B	1	180-1540	010		N/A	
	1-1/4 x 1-1/2 x 7A (3500)	1	180-1545	010		010	
	1-1/4 x 1-1/2 x 7B (1750)	1	180-1546	010		010	
	1-1/2 x 2 x 7	1	180-1549	010		010	
	2 x 2-1/2 x 7	1	180-1554	010		010	
1-1/4 x 1-1/2 x 9	1	180-1547	010		N/A		

PC. NO.	DESCRIPTION	QTY	PART NO.	MATERIAL			
				B.F.	A.B.	A.I.	S.S.
5	RING MODEL 321, 323, 324A PUMPS						
	1 x 1-1/4 x 4	1	676-1547	208	208	010	
	1-1/2 x 2 x 4	1	676-1549	208	208	N/A	
	2 x 2-1/2 x 4	1	676-1549	208	208	010	
	1 x 1-1/4 x 5	1	676-1548	208	208	010	104
	1-1/4 x 1-1/2 x 5	1	676-1548	208	208	010	104
	2 x 2-1/2 x 5	1	676-1549	208	208	010	104
	3/4 x 1 x 6A	1	676-1464	208	208	N/A	
	1 x 1-1/4 x 6	1	676-1548	208	208	010	
	2 x 2-1/2 x 6	1	676-1549	208	208	010	104
	3 x 3 x 6	1	676-1550	208	208	010	104
	3/4 x 1 x 7A & 7B	1	676-1464	208	208	N/A	
	1-1/4 x 1-1/2 x 7	1	676-1548	208	208	010	104
	1-1/2 x 2 x 7	1	676-1549	208	208	010	
2 x 2-1/2 x 7	1	676-1549	208	208	010	104	
1-1/4 x 1-1/2 x 9	1	676-1548	208	208	N/A		
6	STUD - 4"	4	808-0105	082	190	082	
7	CAPSCREW, IMP.	1	168-0255	104	104	104	104
8	WASHER	1	908-0599	104	104	104	104
9	IMPELLER MODEL 321, 323, 324A PUMPS						
	1 x 1-1/4 x 4	1	443-1787	225	225	010	
	1-1/2 x 2 x 4	1	443-1794	225	225	N/A	
	2 x 2-1/2 x 4	1	443-1797	225	225	010	
	1 x 1-1/4 x 5	1	443-1788	225	225	010	104
	1-1/4 x 1-1/2 x 5	1	443-1790	225	225	010	104
	2 x 2-1/2 x 5	1	443-1798	225	225	010	104
	3/4 x 1 x 6A	1	443-1708	225	225	N/A	
	1 x 1-1/4 x 6	1	443-1789	225	225	010	
	2 x 2-1/2 x 6	1	443-1799	225	225	010	104
	3 x 3 x 6	1	443-1801	225	225	010	104
	3/4 x 1 x 7A (3500)	1	443-1785	225	225	N/A	
	3/4 x 1 x 7B (1750)	1	443-1786	225	225	N/A	
	1-1/4 x 1-1/2 x 7A (3500)	1	443-1791	225	225	010	104
1-1/4 x 1-1/2 x 7B (1750)	1	443-1792	225	225	010		
1-1/2 x 2 x 7	1	443-1795	225	225	010		
2 x 2-1/2 x 7	1	443-1800	225	225	010	104	
1-1/4 x 1-1/2 x 9	1	443-1793	225	225	N/A		

**320 SERIES  
MODELS 321 - 323- 324A  
4" - 5" - 6" - 7" - 9"**

SECTION 320P PAGE 7  
DATED FEBRUARY 1999  
SUPERSEDES 320P PAGE 7  
DATED JUNE 1998

**PARTS LIST**

PC. NO.	DESCRIPTION	QTY	PART NO.	MATERIAL			
				B.F.	A.B.	A.I.	S.S.
10	KEY	1	472-0105	100	100	100	104
11	SEAL	1	712-1004	749	764	749	764
12	GASKET - 4"	1	364-0429	457	457	457	
	5"	1	364-0437	457	457	457	457
	6"	1	364-0446	457	457	457	457
	7"	1	364-0452	457	457	457	457
	9"	1	364-0460	457	457	N/A	
13	PIPE PLUG 321, 324A	1	600-0001	087	190	087	104
14	DRIVE SCREW	2	708-0013	365	365	365	365
15	NAMEPLATE	1	532-0045	114	114	114	114
16	CAPSCREW	4	168-0380	082	082	082	082
17	WASHER	4	908-0112	080	080	080	080
18	BRACKET - 4"	1	116-0244	010	208	010	
	5"	1	116-0234	010	208	010	104
	6"	1	116-0235	010	208	010	104
	7"	1	116-0233	010	208	010	104
	9"	1	116-0241	010	208	N/A	
19	SLINGER 321, 323	1	764-1002	478	478	478	478
THE FOLLOWING PARTS ARE USED FOR MODEL 324A PUMPS ONLY							
20	WASHER	3	908-0114	360	360	360	
21	SUPPORT	1	820-0190	010	010	010	
22	KEY	1	472-0206	087	087	087	
23	GREASE FITTING	2	508-0005	651	651	651	
24	CAPSCREW	3	168-0488	082	082	082	
25	OILER	1	552-0029	652	652	652	
26	PIPE PLUG	2	600-0002	087	087	087	
27	SLINGER	1	764-1015	478	478	478	
28	CAPSCREW	4	168-0388	082	082	082	
29	CAP	1	164-0470	010	010	010	
30	GASKET (OIL LUBE)	1	364-0423	457	457	457	
31	GREASE SEAL	2	712-0231	653	653	653	
	OIL SEAL	2	712-0016	653	653	653	
32	RETAINER RING	1	676-0929	088	088	088	
33	O.B. BEARING						
	STANDARD OPEN SEALED PERM LUBE	1	068-2206	647	647	647	
34	I.B. BEARING						
	STANDARD OPEN SEALED PERM LUBE	1	068-1907	647	647	647	
35	SHAFT	1	728-0124	107	104	107	
36	PLUG	2	600-0002	087	087	087	
37	FRAME OIL LUBE	1	356-0231	010	010	010	
	GREASE LUBE	1	356-0201	010	010	010	

PC. NO.	DESCRIPTION	QTY	PART NO.	MATERIAL			
				B.F.	A.B.	A.I.	S.S.
38	PIPE PLUG	1	600-0002	087	190	087	
39	PIPE PLUG	2	600-0001	087	190	078	
40	SLINGER	1	764-1002	478	478	478	
41	BREATHER	1	864-0051	656	656	656	
42	NIPPLE	1	600-1204	387	387	387	
THE FOLLOWING PARTS ARE USED FOR MODEL 323 PUMPS ONLY							
45	BASE						
	1 x 1-1/4 x 4	1	816-0861	010		010	
	1-1/2 x 2 x 4	1	816-0863	010		N/A	
	2 x 2-1/2 x 4	1	816-0863	010		010	
	1 x 1-1/4 x 5	1	816-0862	010		010	
	1-1/4 x 1-1/2 x 5	1	816-0862	010		010	
	2 x 2-1/2 x 5	1	816-0863	010		010	
	3/4 x 1 x 6A	1	816-0862	010		N/A	
	1 x 1-1/4 x 6	1	816-0862	010		010	
	2 x 2-1/2 x 6	1	816-0863	010		010	
	3 x 3 x 6	1	816-0917	010		010	
	3/4 x 1 x 7	1	816-0876	010		N/A	
	1-1/4 x 1-1/2 x 7	1	816-0876	010		010	
	1-1/2 x 2 x 7	1	816-0863	010		010	
	2 x 2-1/2 x 7	1	816-0863	010		010	
1-1/4 x 1-1/2 x 9	1	816-0876	010		N/A		
46	CAPSCREW	4	168-0382	082		082	
47	GASKET						
	3/4, 1, 1-1/4	1	364-1144	603		603	
	1-1/2, 2, 2-1/2	1	364-1145	603		603	
3	1	364-1149	603		603		
48	FITTING	1	868-3358	190		087	
49	TUBING	1	872-0124	175		087	
50	FITTING	1	868-3358	190		087	
51	COUPLING	1	600-0720	387		387	
52	NIPPLE	1	600-1156	387		387	



**NOTE:**  
Aurora Pump reserves the right to make revisions to its products and their specifications, and to this bulletin and related information without notice

**Aurora Pumps**  
800 Airport Road  
North Aurora, IL 60542  
phone: 630-859-7000  
fax: 630-859-7060