



Model 325U “Y” Blow-Off Valve

Complies with MSS-SP-80-2013
CRN OCO7135.2

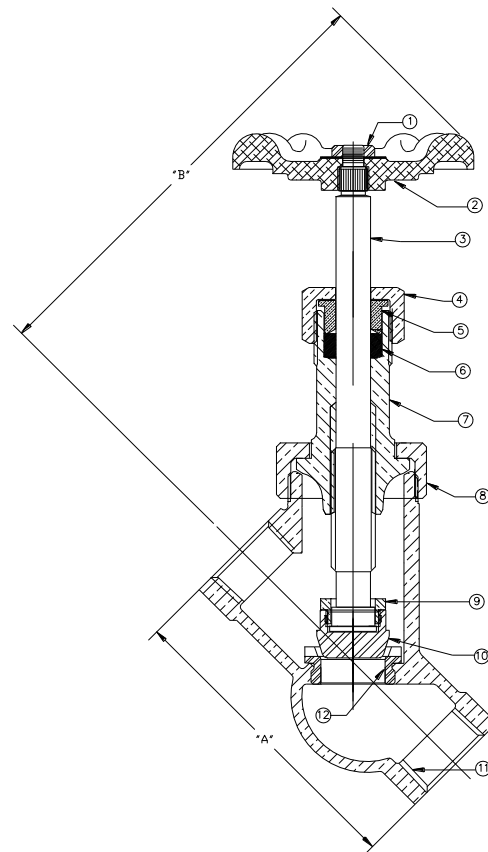
Class 300 • Non-Shock Service
100% Pressure Tested • Threaded Ends
Rising Stem • Swivel Disc Holder
Seat & Disc 400-500 Brinnell Stainless Steel
Max Pressure 390 PSI @ 500° F •

Contains Lead. Not Intended for Use in Potable Water Systems

Care must be taken in blow down piping so that no water hammer effect causes shock to the “Y” blow down valve, especially in cases where a boiler has two blow-down lines. In such cases both lines should be piped to a common set of blow down valves or each blow off line should be piped separately to the blow down separator. Excessive water hammer or shock can destroy valves and piping and could cause injury.

MATERIAL LIST

NO.	DESCRIPTION	MATERIAL
1	Jam Nut	Steel
2	Hand Wheel	Ductile Iron
3	Stem	Naval Brass
4	Packing Nut	Brass
5	Packing Gland	Brass
6	Packing	NAFG
7	Bonnet	Bronze
8	Bonnet Nut	Bronze
9	Lock Nut	Brass
10	Disc	Stainless Steel
11	Body	Bronze
12	Seat	Stainless Steel



Size	1"	1 ¼"	1 ½"	2"
A	4.75	5.56	6.25	7.75
B	5.75	7.00	7.75	8.75
Ship Wt. (lbs.)	4.75	6.25	8.60	15.11
Qty. Unit Pack	4	4	2	2