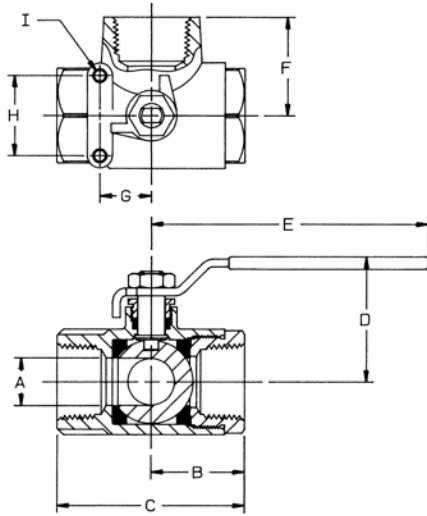


BALL VALVES

Diverter Valves

70-600 SERIES



THREADED 3-WAY BALL VALVE

Ideal for applications requiring flow diversion, this valve combines the features of two valves. Its large ports make tank selection and fluid transfers quicker and easier. Easy quarter-turn operation.

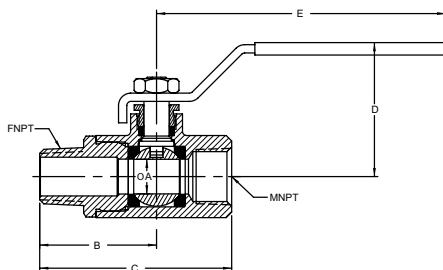
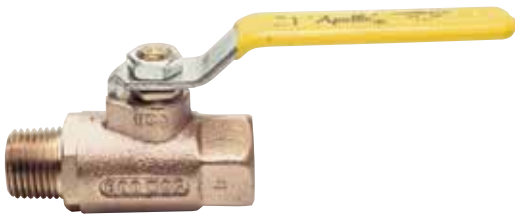
FEATURES

- Simple quarter-turn operation
- ASTM B584 Bronze
- 400 psig CWP, non-shock
- Blowout-proof stem
- Adjustable stem packing
- Vacuum service to 29 in. Hg

Model Number	Size (in.)	Dimensions (in.)								
		A	B	C	D	E	F	G	H	I
70-601-01	1/4	0.37	1.12	2.32	1.80	3.88	1.18	0.875	1.37	10-24
70-602-01	3/8	0.37	1.12	2.32	1.80	3.88	1.18	0.875	1.37	10-24
70-603-01	1/2	0.50	1.09	2.25	1.75	3.87	1.18	0.87	1.37	10-24
70-604-01	3/4	0.68	1.50	3.00	2.12	4.87	1.62	0.87	1.37	10-24
70-605-01	1	0.81	1.59	3.18	2.25	4.87	1.71	0.87	1.37	10-24
70-606-01	1-1/4	1.00	1.97	3.95	2.69	5.50	2.01	0.93	1.50	1/4-20
70-607-01	1-1/2	1.25	2.21	4.40	2.87	5.50	2.38	0.94	1.50	1/4-20
70-608-01	2	1.50	2.34	4.69	3.00	5.50	2.50	0.94	1.50	1/4-20

General Purpose Ball Valves

70-800 SERIES



MALE X FEMALE NPT BALL VALVE

Eliminates need for extra nipple when connecting to female connection to save time and labor. Ruggedly built for lasting performance with chromium-plated ball and blowout-proof stem.

FEATURES

- 600 psig CWP, non-shock
- 150 SWP steam rating
- RPTFE seats and stuffing box ring
- Adjustable stem packing
- Vacuum service to 29" Hg.

Model Number	Size (in.)	Dimensions (in.)				
		A	B	C	D	E
70-801-01	1/4	0.37	1.40	2.43	1.75	3.87
70-802-01	3/8	0.37	1.46	2.50	1.75	3.87
70-803-01	1/2	0.50	1.68	2.81	1.81	3.87
70-804-01	3/4	0.68	2.00	3.50	2.12	4.87
70-805-01	1	0.87	2.31	4.00	2.25	4.87
70-806-01	1-1/4	1.00	2.31	4.31	2.62	5.50
70-807-01	1-1/2	1.25	3.00	5.18	3.06	8.00

NOTE: 1/4", 3/8", and 1/2" are full port.