

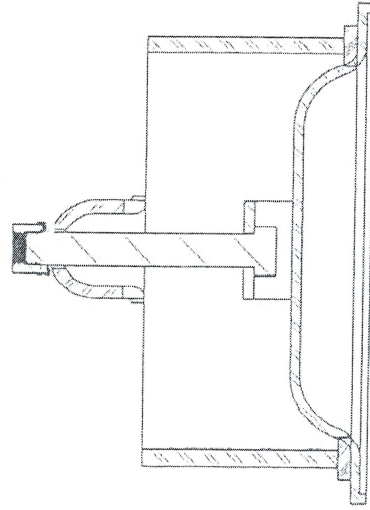
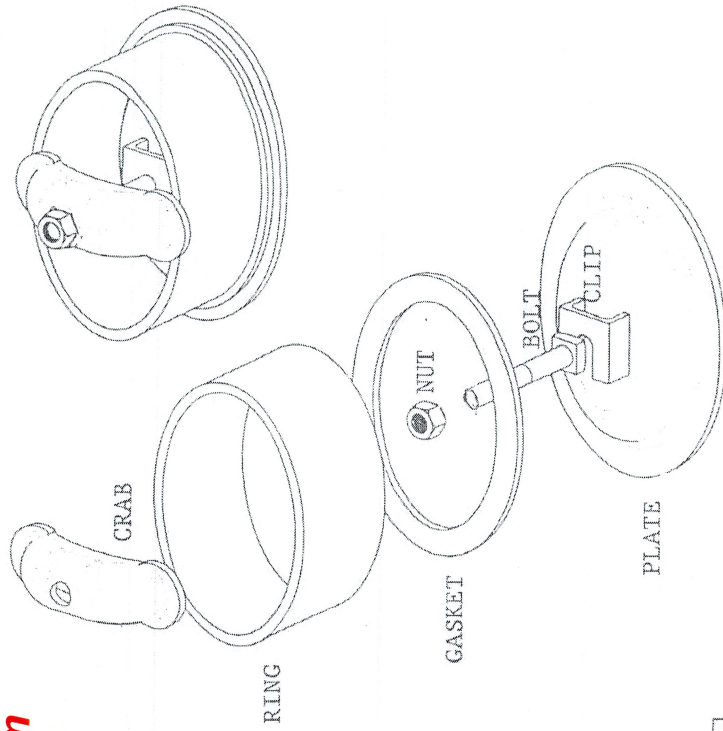
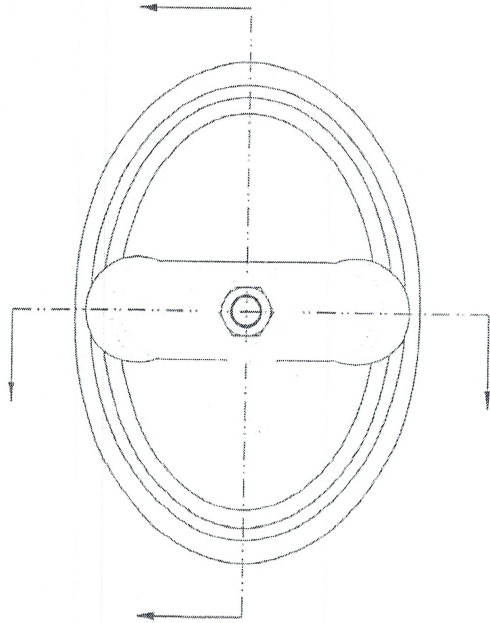
BoilersSupplies.Com

A Division of Power Plus International

To Order Parts & Warranty Information

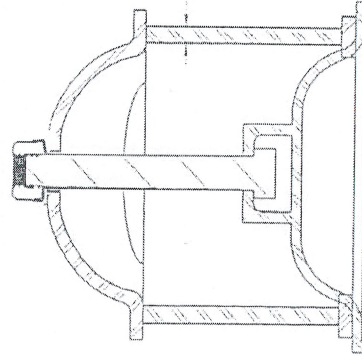
1-800-780-3776

www.boilersupplies.com



HANDHOLE ASSEMBLY COMPLETE INCLUDES:

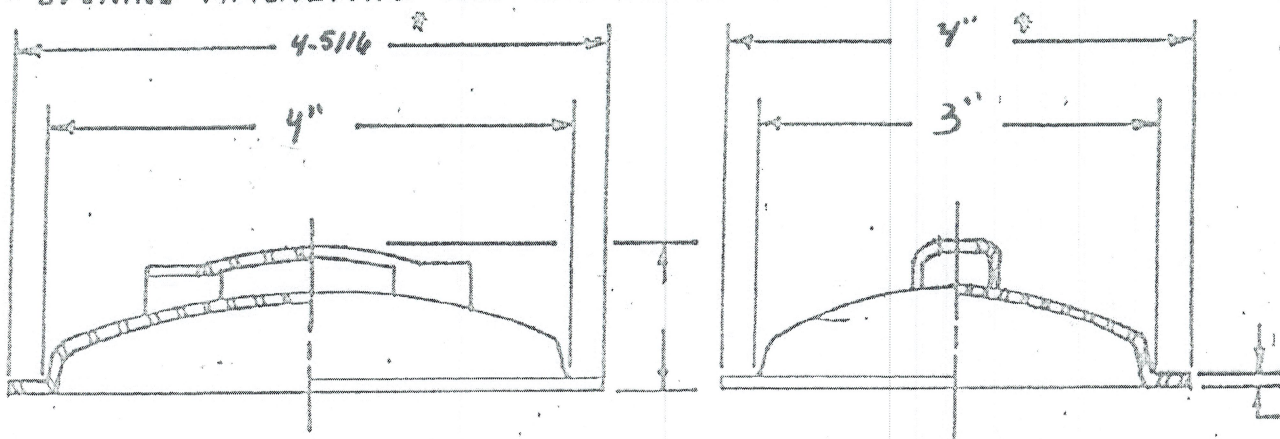
- 1 - HANDHOLE PLATE
- 1 - HANDHOLE RING
- 1 - NEOPRENE GASKET
- 1 - HANDHOLE CRAB
- 1 - BOLT/NUT



HANDHOLE TOP ASSEMBLY COMPLETE INCLUDES:

- 1 - HANDHOLE COVER
- 1 - NEOPRENE GASKET
- 1 - HANDHOLE CRAB
- 1 - BOLT/NUT

*NOTE: OVERALL DIMENSIONS ARE APPROXIMATE.



HANDHOLE
~~MANHOLE~~ COVER

SIZE ----- 3X4 500# ELLIPTICAL

MAX. PRESSURE --- PSI @ 650° F.

MATERIAL ----- SAS16-70

THICKNESS ----- 1/4"

MARKINGS ----- STAMPINGS AS REQ'D. BY THE
FOLLOWING ASME CODES:
SECTION I, PARA. PG-11
SECTION IV, PARA. HF-203.1
SECTION VIII, PARA. UG-11

HANDLE TO HAVE SLOTS FOR 3/4" DIA. SQUARE
HEAD BOLTS.