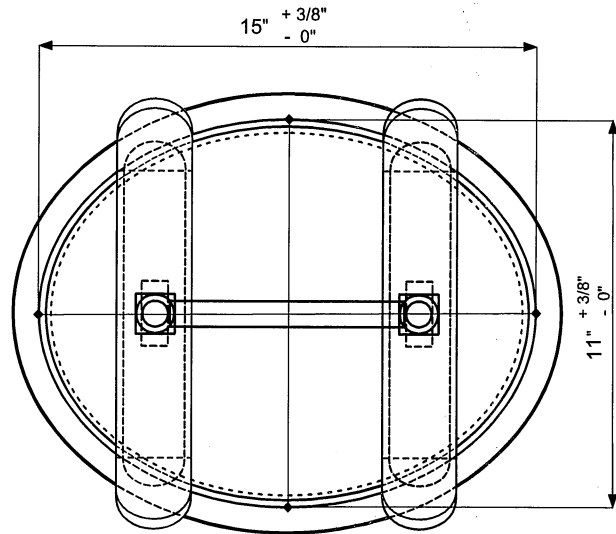
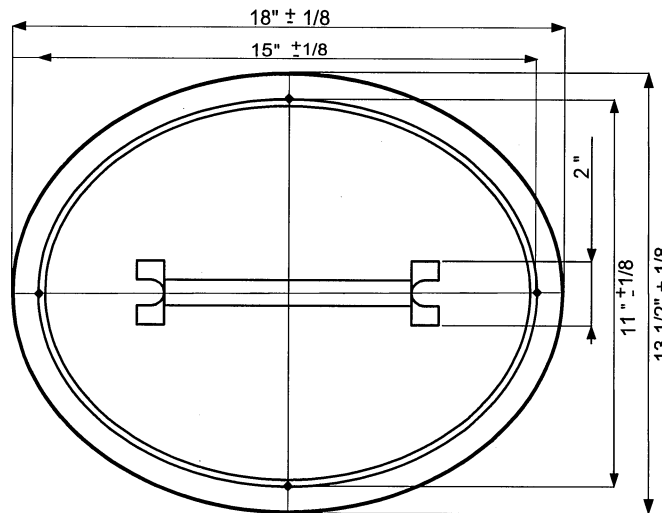


Power Plus International  
 143 McDonough Parkway  
 McDonough, GA 30253

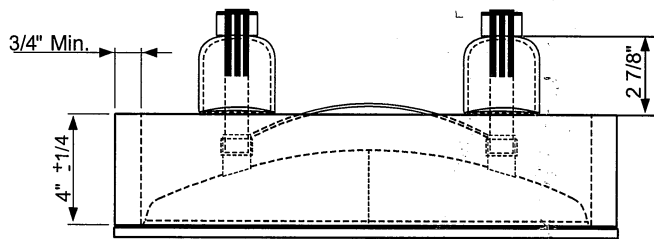
Power  
 143 M  
 McDon



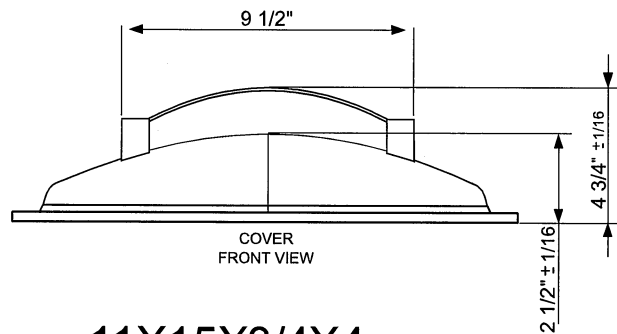
MANHOLE ASSM  
TOP VIEW



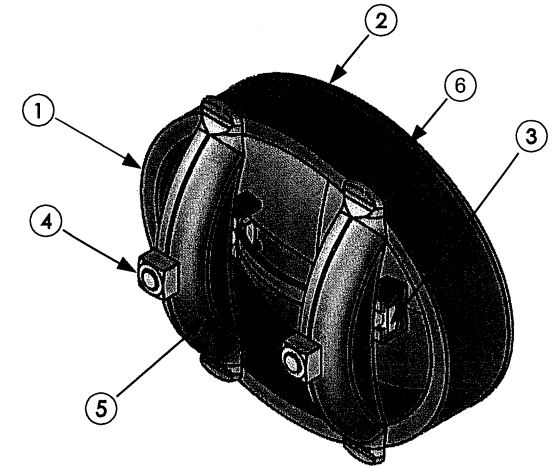
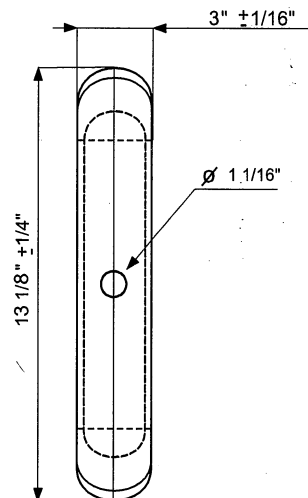
COVER  
TOP VIEW



MANHOLE ASSM  
FRONT VIEW



COVER  
FRONT VIEW



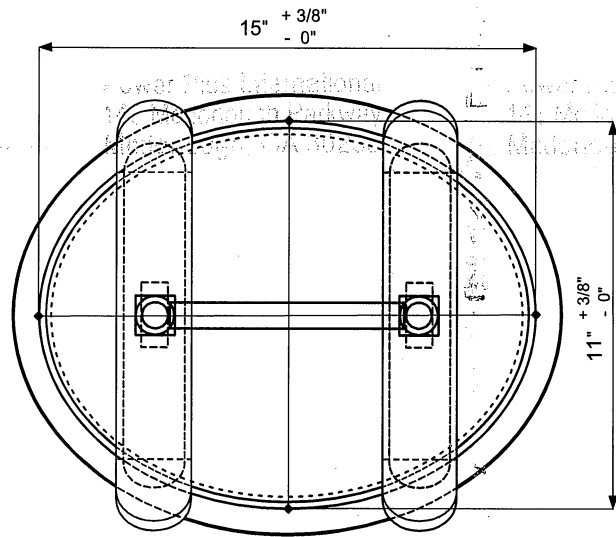
### 11X15X3/4X4

#	DESCRIPTION	STEEL	QTY.
1	RING 11x15 (*)	SA-675-70	1
2	COVER 11x15 (*)	SA-516-70	1
3	SQ BOLT 7/8-9X5 (*)	ASTM A307	2
4	HSQ NUT 7/8-9X	ASTM A563	2
5	CRAB 11x15 (CRAB/YOKE)	0.250" HRC	2
6	NEOPRENE GASKET 11x15x0.1875 (*)		1

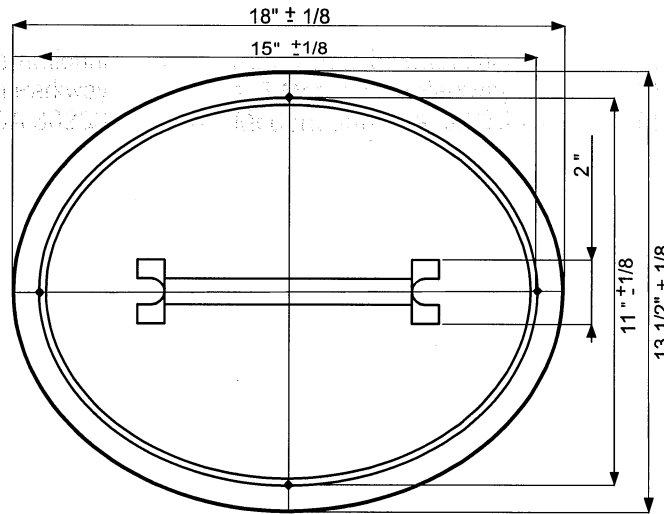
- (\*) OTHER GASKETS AVAILABLE
- (\*) 1" LONGER THAN RING DEPTH
- (\*) OTHER RINGS AVAILABLE. 516-70, 106 B/C, 333-6, T-304/304L, T-316/316L
- (\*) 11x15 300psi (5/16") ~ 600psi (1/2")

THESE ARE NOT PRECISION FORMED PARTS.  
 PLEASE ALLOW FOR NORMAL FORMING TOLERANCES.

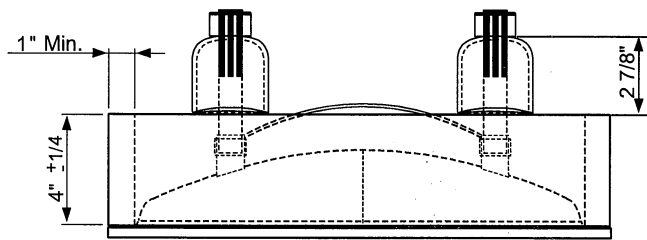
Power Plus International  
 143 McDonough Parkway  
 McDonough, GA 30253



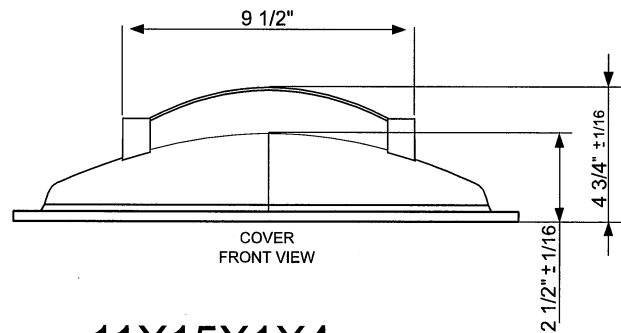
MANHOLE ASSM  
TOP VIEW



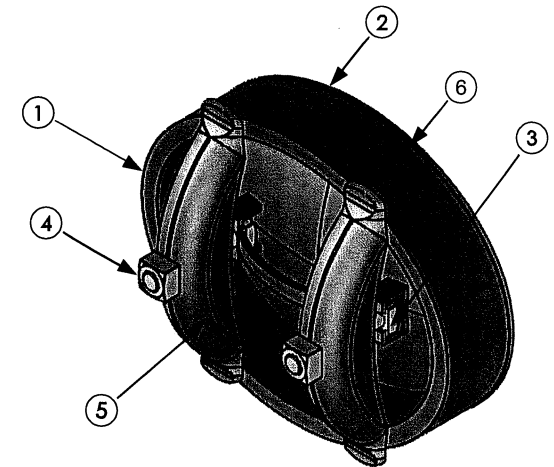
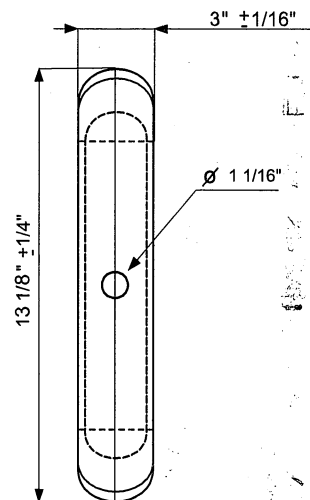
COVER  
TOP VIEW



MANHOLE ASSM  
FRONT VIEW



COVER  
FRONT VIEW



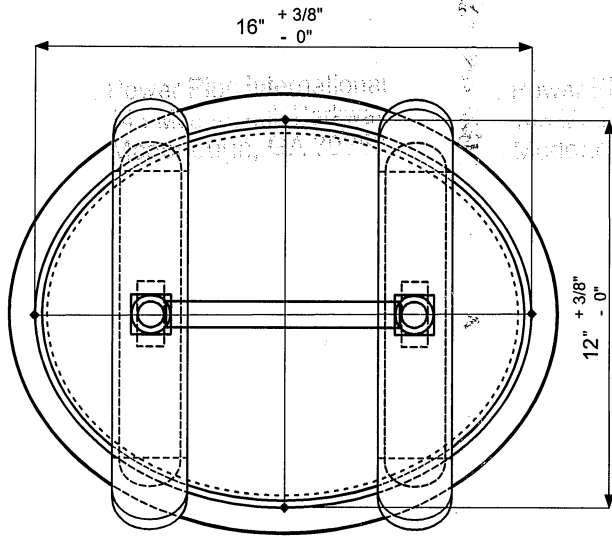
### 11X15X1X4

#	DESCRIPTION	STEEL	QTY.
1	RING 11x15 (*)	SA-675-70	1
2	COVER 11x15 (*)	SA-516-70	1
3	SQ BOLT 7/8-9X5 (*)	ASTM A307	2
4	HSQ NUT 7/8-9X	ASTM A563	2
5	CRAB 11x15 (CRAB/YOKE)	0.250" HRC	2
6	NEOPRENE GASKET 11x15x0.1875 (*)		1

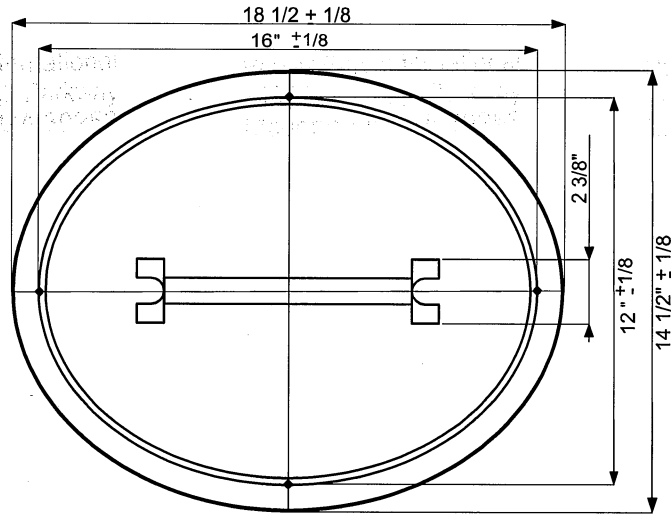
- (\*) OTHER GASKETS AVAILABLE
- (\*) 1" LONGER THAN RING DEPTH
- (\*) OTHER RINGS AVAILABLE. 516-70, 106 B/C, 333-6, T-304/304L, T-316/316L
- (\*) 11x15 300psi (5/16") ~ 600psi (1/2")

THESE ARE NOT PRECISION FORMED PARTS.  
 PLEASE ALLOW FOR NORMAL FORMING TOLERANCES.

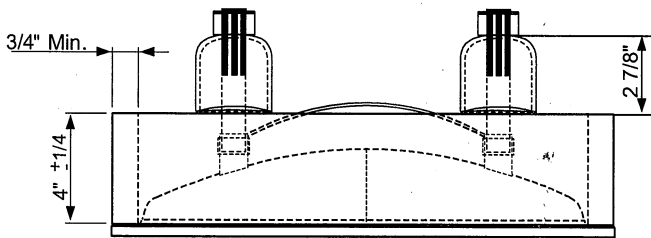
Power Plus International  
 143 McDonough Parkway  
 McDonough, GA 30253



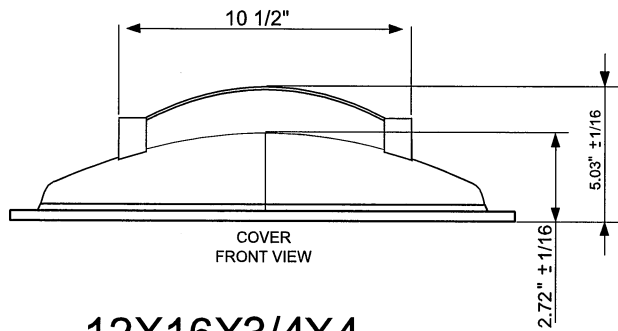
MANHOLE ASSM  
TOP VIEW



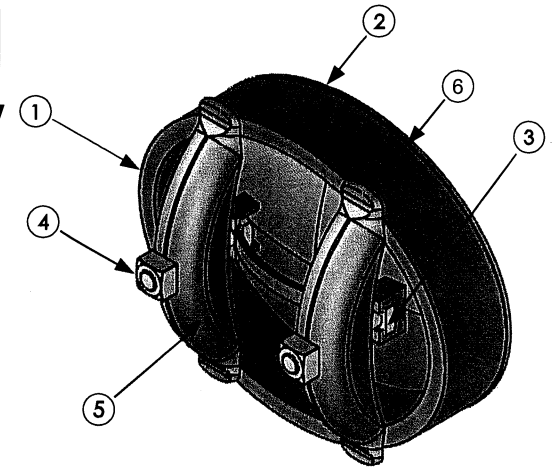
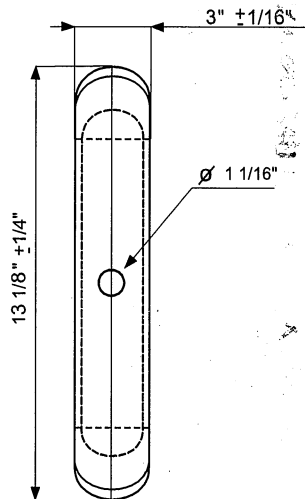
COVER  
TOP VIEW



MANHOLE ASSM  
FRONT VIEW



COVER  
FRONT VIEW



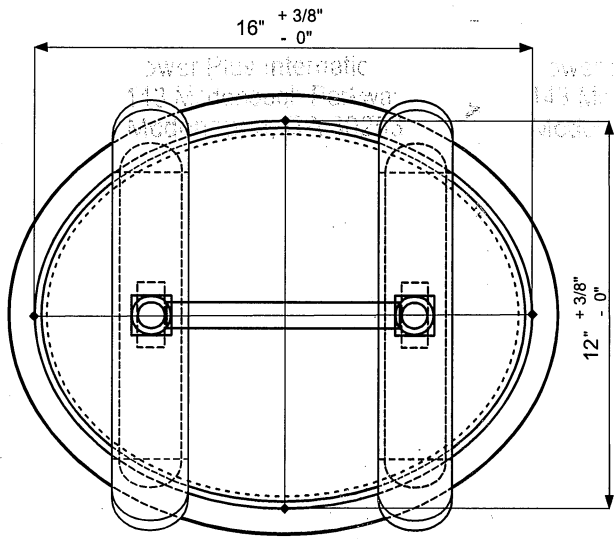
### 12X16X3/4X4

#	DESCRIPTION	STEEL	QTY.
1	RING 12x16	(*) SA-675-70	1
2	COVER 12x16	(*) SA-516-70	1
3	SQ BOLT 1-8X5	(*) ASTM A307	2
4	HSQ NUT 1-8X	ASTM A563	2
5	CRAB 12x16 (CRAB/YOKE)	0.250" HRC	2
6	NEOPRENE GASKET 12x16x0.1875	(*)	1

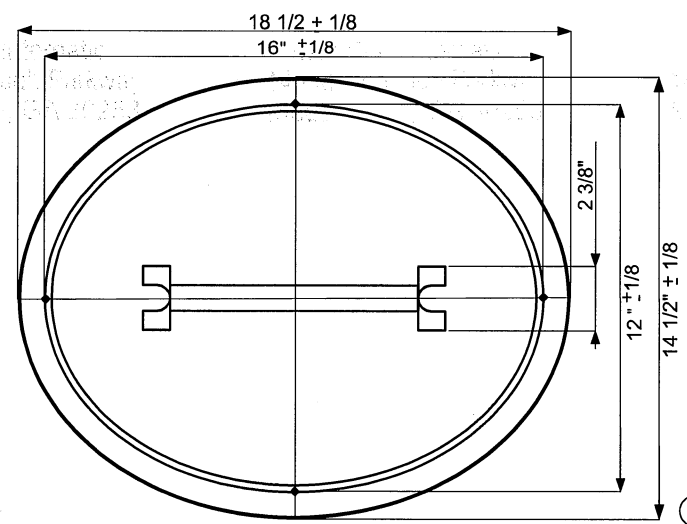
- (\*) OTHER GASKETS AVAILABLE
- (\*) 1" LONGER THAN RING DEPTH
- (\*) OTHER RINGS AVAILABLE. 516-70, 106 B/C, 333-6, T-304/304L, T-316/316L
- (\*) 12x16 300psi (3/8") ~ 600psi (1/2") ~ 800psi (5/8)

THESE ARE NOT PRECISION FORMED PARTS.  
 PLEASE ALLOW FOR NORMAL FORMING TOLERANCES.

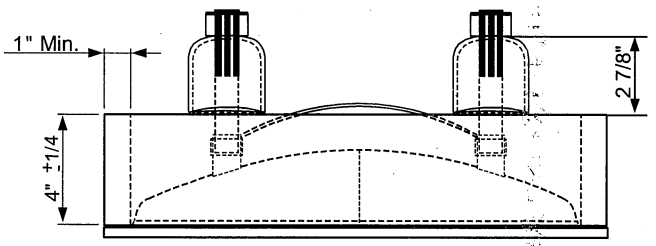
Power Plus International  
 143 McDonough Parkway  
 McDonough, GA 30253



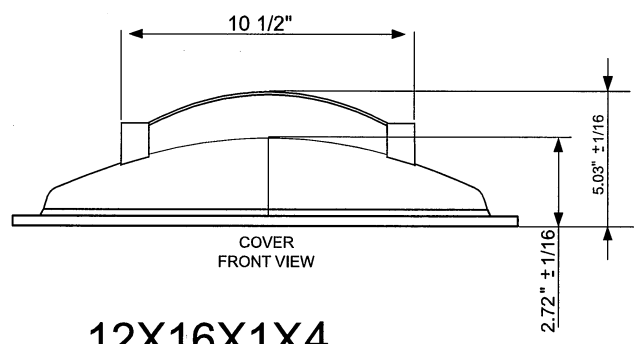
MANHOLE ASSM  
TOP VIEW



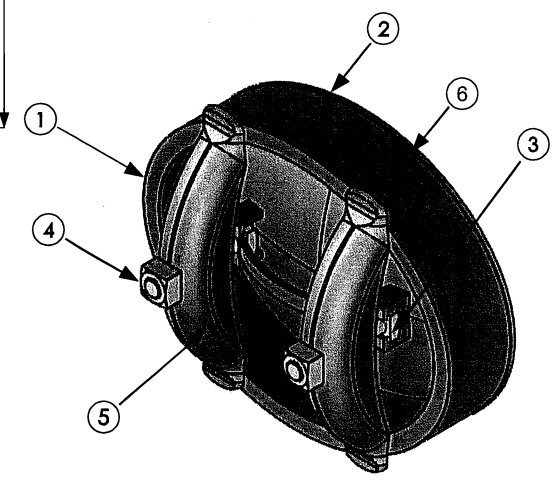
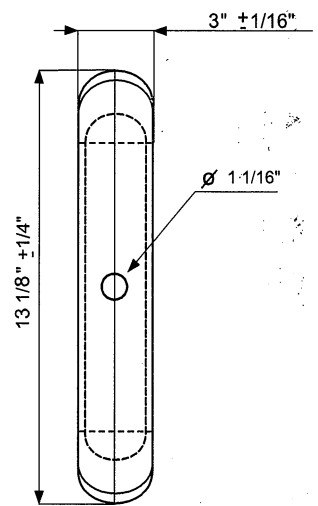
COVER  
TOP VIEW



MANHOLE ASSM  
FRONT VIEW



COVER  
FRONT VIEW



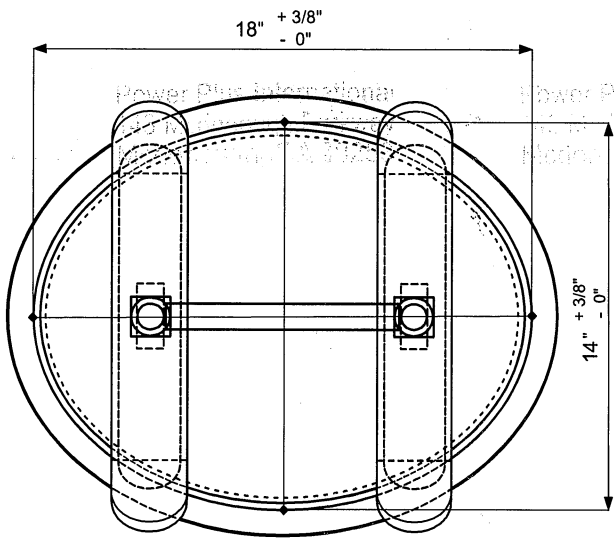
### 12X16X1X4

#	DESCRIPTION	STEEL	QTY.
1	RING 12x16	(*) SA-675-70	1
2	COVER 12x16	(*) SA-516-70	1
3	SQ BOLT 1-8X5	(*) ASTM A307	2
4	HSQ NUT 1-8X	ASTM A563	2
5	CRAB 12x16 (CRAB/YOKE)	0.250" HRC	2
6	NEOPRENE GASKET 12x16x0.1875	(*)	1

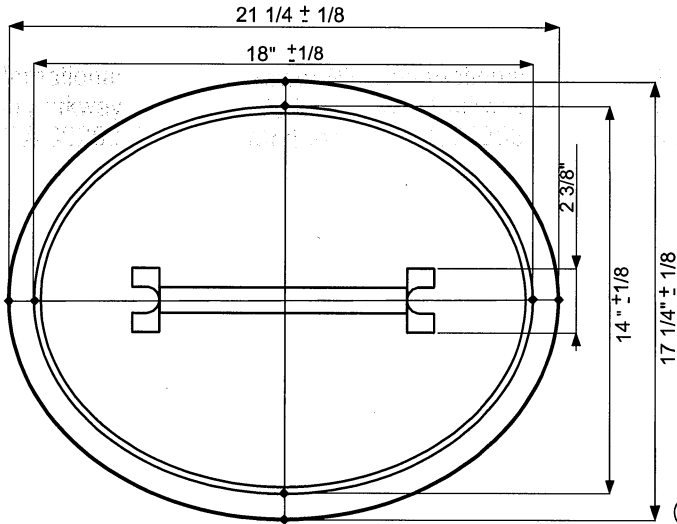
- (\*) OTHER GASKETS AVAILABLE
- (\*) 1" LONGER THAN RING DEPTH
- (\*) OTHER RINGS AVAILABLE. 516-70, 106 B/C, 333-6, T-304/304L, T-316/316L
- (\*) 12x16 300psi (3/8") ~ 600psi (1/2") ~ 800psi (5/8")

THESE ARE NOT PRECISION FORMED PARTS.  
 PLEASE ALLOW FOR NORMAL FORMING TOLERANCES.

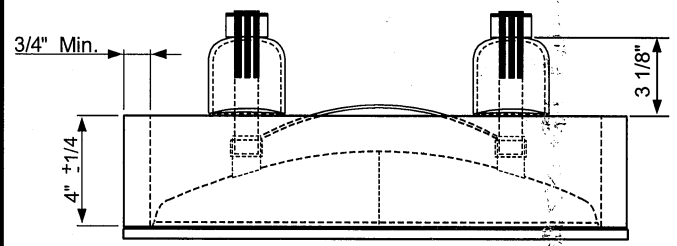
Power Plus International  
 143 McDonough Parkway  
 McDonough, GA 30253



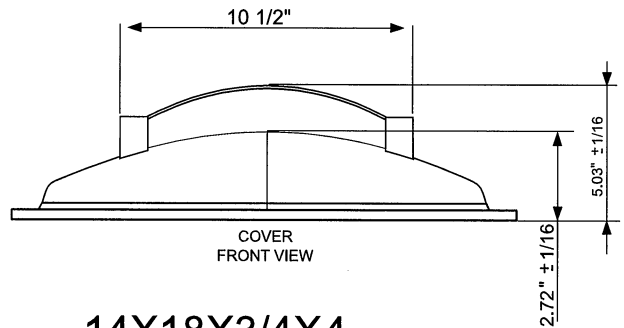
MANHOLE ASSM  
TOP VIEW



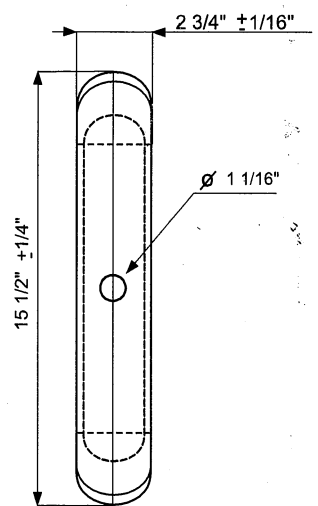
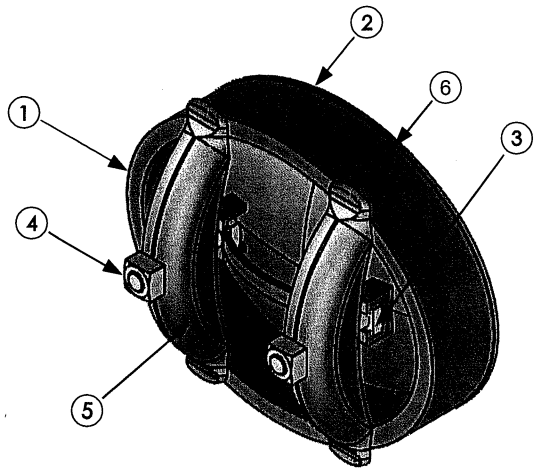
COVER  
TOP VIEW



MANHOLE ASSM  
FRONT VIEW



COVER  
FRONT VIEW



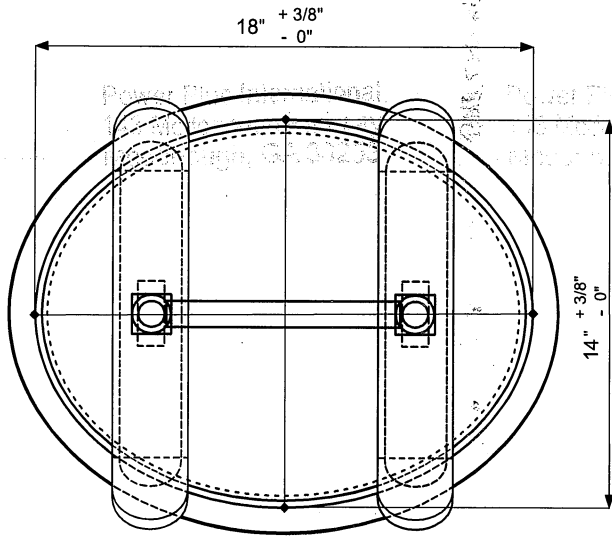
### 14X18X3/4X4

#	DESCRIPTION	STEEL	QTY.
1	RING 14x18	(*) SA-675-70	1
2	COVER 14x18	(*) SA-516-70	1
3	SQ BOLT 1-8X5	(*) ASTM A307	2
4	HSQ NUT 1-8X	ASTM A563	2
5	CRAB 14x18 (CRAB/YOKE)	0.250" HRC	2
6	NEOPRENE GASKET 14x18x0.1875	(*)	1

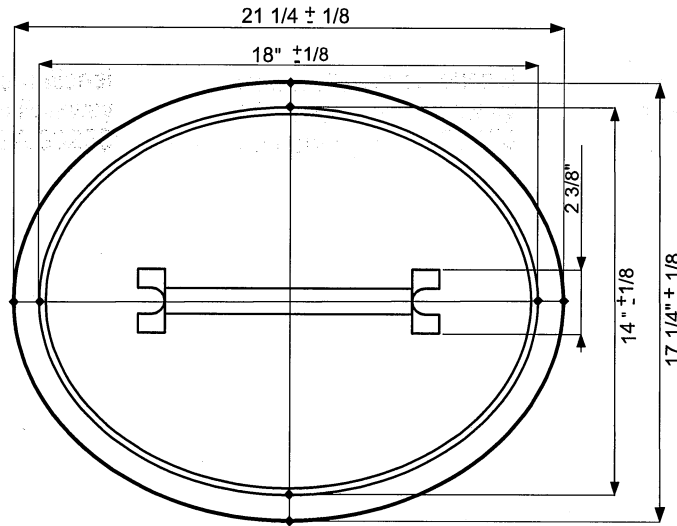
(\*) OTHER GASKETS AVAILABLE  
 (\*) 1" LONGER THAN RING DEPTH  
 (\*) OTHER RINGS AVAILABLE. 516-70, 106 B/C, 333-6, T-304/304L, T-316/316L  
 (\*) 14x18 300psi (3/8") ~ 600psi (1/2")

THESE ARE NOT PRECISION FORMED PARTS.  
 PLEASE ALLOW FOR NORMAL FORMING TOLERANCES.

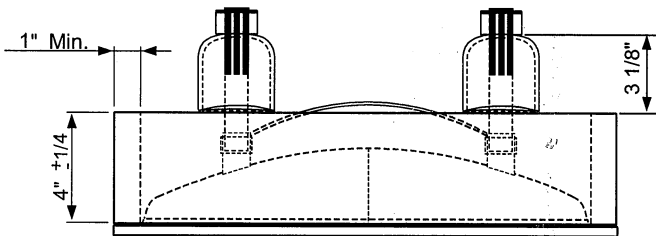
Power Plus International  
 143 McDonough Parkway  
 McDonough, GA 30253



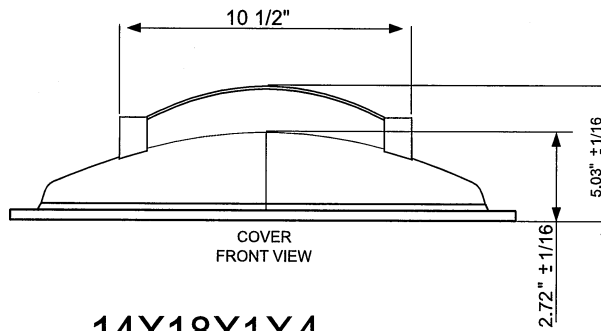
MANHOLE ASSM  
TOP VIEW



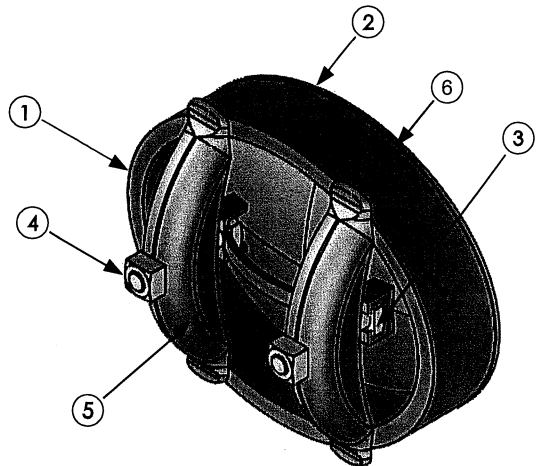
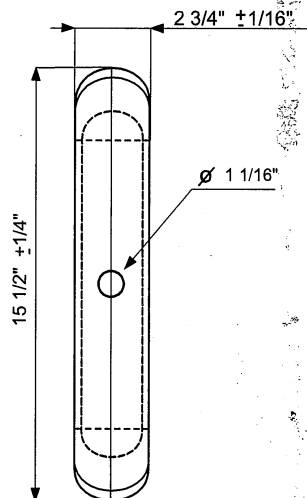
COVER  
TOP VIEW



MANHOLE ASSM  
FRONT VIEW



COVER  
FRONT VIEW



### 14X18X1X4

#	DESCRIPTION	STEEL	QTY.
1	RING 14x18	(*) SA-675-70	1
2	COVER 14x18	(*) SA-516-70	1
3	SQ BOLT 1-8X5	(*) ASTM A307	2
4	HSQ NUT 1-8X	ASTM A563	2
5	CRAB 14x18 (CRAB/YOKE)	0.250" HRC	2
6	NEOPRENE GASKET 14x18x0.1875	(*)	1

- (\*) OTHER GASKETS AVAILABLE
- (\*) 1" LONGER THAN RING DEPTH
- (\*) OTHER RINGS AVAILABLE. 516-70, 106 B/C, 333-6, T-304/304L, T-316/316L
- (\*) 14x18 300psi (3/8") ~ 600psi (1/2")

THESE ARE NOT PRECISION FORMED PARTS.  
 PLEASE ALLOW FOR NORMAL FORMING TOLERANCES.