



EG-200-50

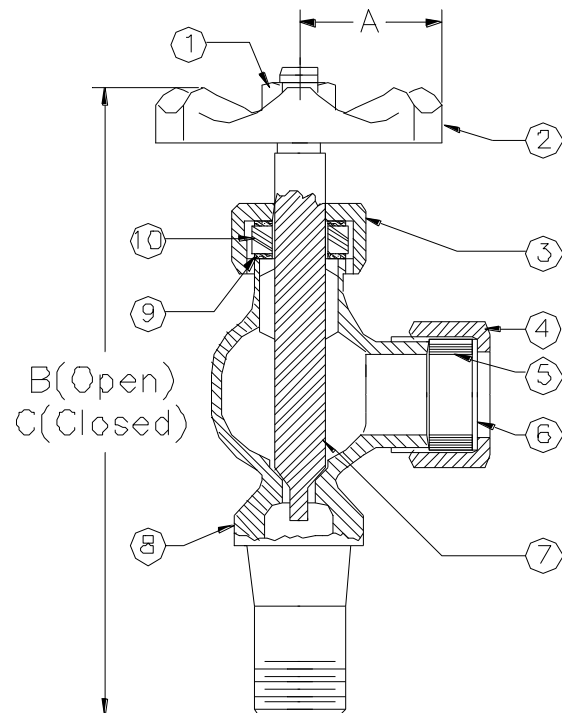
Heavy Pattern Bronze Gauge Valves

200 WSP @ 400°F Max

400WOG Standard 1/4" needle drain valve in lower arm (The inside threads are 7/16-24 UNS). Ball checks standard on EG 200-50. 200 psig @ 400°F, 400 psig @ 100°F.

MATERIAL LIST

NO.	DESCRIPTION	MATERIAL
1	Screw	Steel
2	Hand Wheel	Aluminum
3	Packing Nut	Brass
4	Glass Washer Nut	Brass
5	Glass Washer	EPDM
6	Washer	Steel
7	Stem	Brass
8	Body	Bronze
9	Bevel Washer (2)	Brass
10	Packing	PTFE



Pipe Size	1/2"
Glass Size (O.D.)	5/8"
A	1.20"
B	4.45"
C	4.25"
Ship Wt. (lbs.)	0.7