



EG-253-75

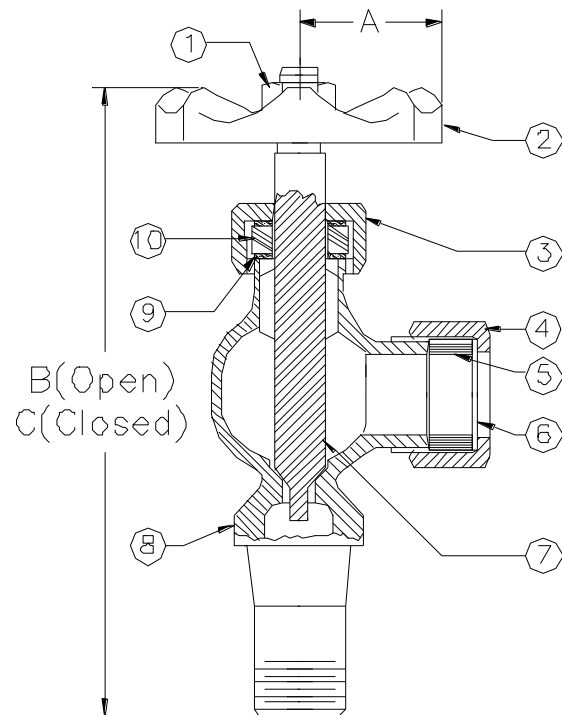
Heavy Pattern Bronze Gauge Valves

200 WSP @ 400°F Max

400WOG Standard 1/4" needle drain valve in lower arm (The inside threads are 7/16-24 UNS). Ball checks standard on EG 253-75. 200 psig @ 400°F, 400 psig @ 100°F.

MATERIAL LIST

| NO. | DESCRIPTION | MATERIAL |
|-----|------------------|----------|
| 1 | Screw | Steel |
| 2 | Hand Wheel | Aluminum |
| 3 | Packing Nut | Brass |
| 4 | Glass Washer Nut | Brass |
| 5 | Glass Washer | EPDM |
| 6 | Washer | Steel |
| 7 | Stem | Brass |
| 8 | Body | Bronze |
| 9 | Bevel Washer (2) | Brass |
| 10 | Packing | PTFE |



| | |
|-------------------|-------|
| Pipe Size | 3/4" |
| Glass Size (O.D.) | 3/4" |
| A | 1.20" |
| B | 4.45" |
| C | 4.25" |
| Ship Wt. (lbs.) | 0.7 |