

WG112BC

Polished Brass Gauge Valves

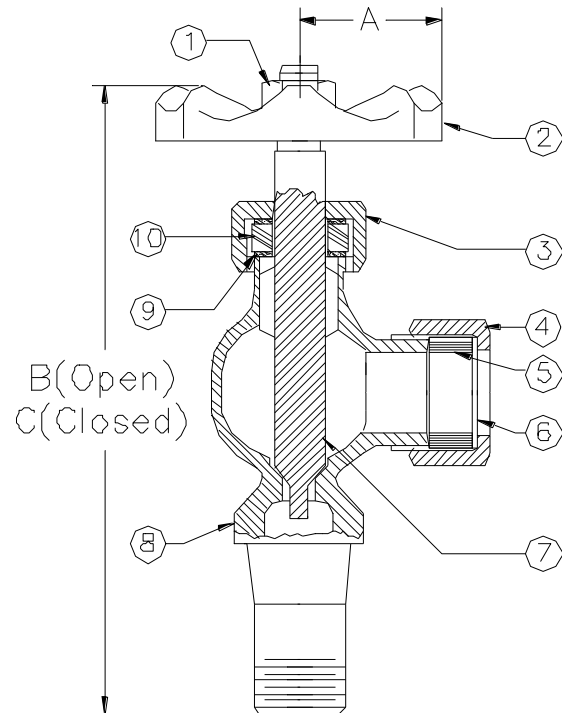
200 WSP @ 400°F Max

400WOG Standard 1/4" needle drain valve in lower arm (The inside threads are 7/16-24 UNS). Ball checks standard on WG112BC. 200 psig @ 400°F, 400 psig @ 100°F.



MATERIAL LIST

NO.	DESCRIPTION	MATERIAL
1	Screw	Steel
2	Hand Wheel	Aluminum
3	Packing Nut	Brass
4	Glass Washer Nut	Brass
5	Glass Washer	EPDM
6	Washer	Steel
7	Stem	Brass
8	Body	Brass
9	Bevel Washer (2)	Brass
10	Packing	PTFE



Pipe Size	3/4"
Glass Size (O.D.)	3/4"
A	1.20"
B	4.45"
C	4.25"
Ship Wt. (lbs.)	0.7