



Replacement Parts List

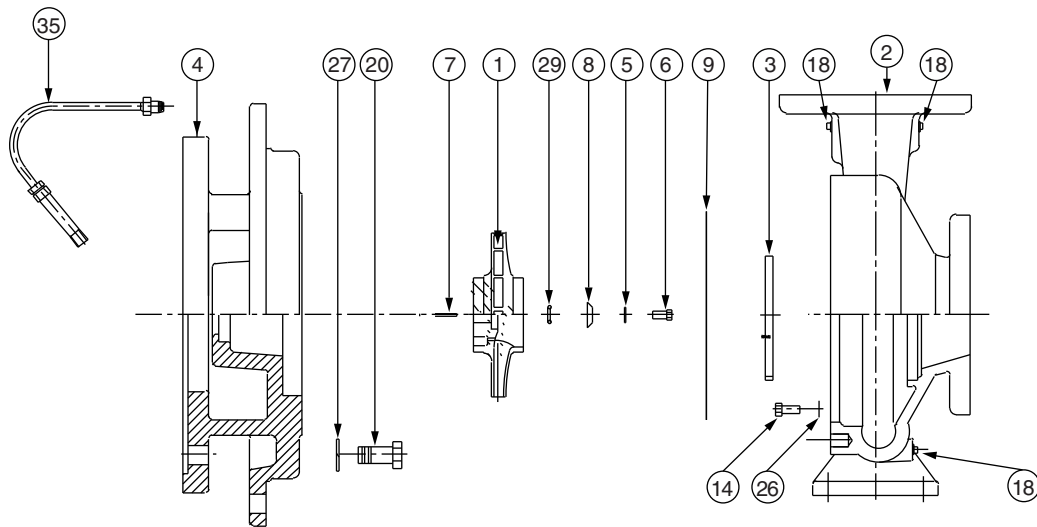
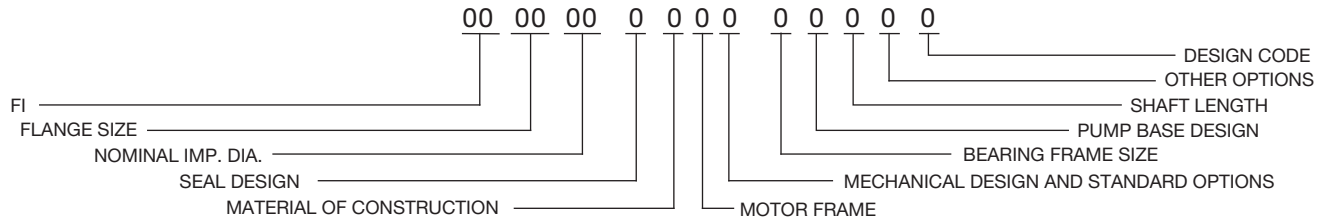
304-478

FI 1209C

SUPERSEDES: New

EFFECTIVE: March 1, 2013

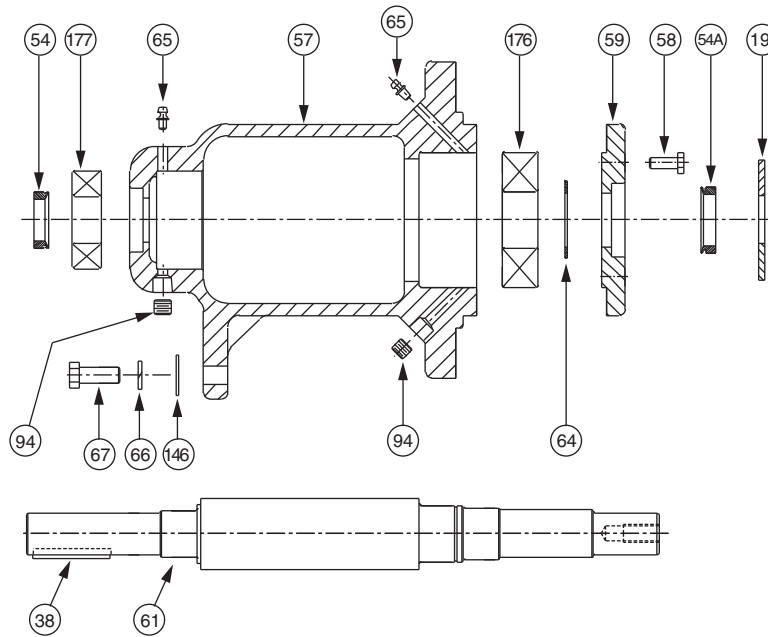
WHEN SELECTING AND ORDERING PARTS, ALWAYS REFER TO SERIAL NUMBER ON NAMEPLATE



| ITEM NO. | NO. REQ. | DESCRIPTION | FI 1209C |
|----------|----------|------------------------|------------------------|
| | | | BEARING FRAME H |
| 1 | 1 | IMPELLER (CI) | 953-4131RP |
| 1 | 1 | IMPELLER (BRZ) | 953-4129RP |
| 2 | 1 | CASING (125#)(NO W/R) | 953-4486RP |
| 2 | 1 | CASING (250#)(NO W/R) | 953-4487RP |
| 2 | 1 | CASING (125#)(BRZ W/R) | 953-4488RP |
| 2 | 1 | CASING (250#)(BRZ W/R) | 953-4489RP |
| 3 | 1(W/R) | WEAR RING (BRZ) | 953-4132RP |
| 5 | 1 | DOWDY WASHER | 951-2578RP |
| 6 | 1 | IMPELLER BOLT (SST) | 3/8NC X 1-1/2"LG |
| 7 | 1 | IMPELLER KEY (SST) | 3/16 X 3/16 X 1-1/8"LG |
| 8 | 1 | IMPELLER WASHER | 953-828RP |
| 9 | 1 | GASKET (CASING) | 953-4383RP |
| 14 | 12 | CASING BOLT (ST) | 3/8NC X 1-1/8"LG |
| 18 | 3 | PIPE PLUG (STEEL) | 1/4 NPT |
| 26 | 12 | CASING WASHER (ZN) | 3/8 |
| 29 | 1 | IMPELLER GASKET | 953-830RP |
| 4 | 1 | COVER, 125# | 953-4347RP |
| | | COVER, 250# | 953-4377RP |
| 20 | 4 | BEARING FRAME BOLT | 3/8NC X 1"LG |
| 27 | 4 | BEARING FRAME WASHER | 1/2 |
| 35 | 1 | TUBE KIT | 951-1547RP |

AW-1122 REV -

FI 'H' Frame Replacement Parts



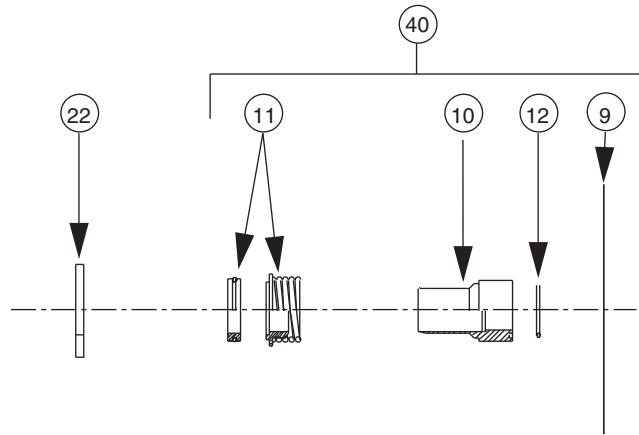
'H' BEARING FRAME

STANDARD
SEALED
BEARINGS

OPTIONAL
GREASEABLE
BEARINGS

| ITEM NO | NO. REQ. | DESCRIPTION | PART NO. | PART NO. | REMARKS |
|---------|----------|------------------------------|--------------|--------------|-----------------------|
| 19 | 1 | FRAME ASSEMBLY (CS) | 953-2218RP | 953-2219RP | CARBON STEEL SHAFT |
| 19 | 1 | FRAME ASSEMBLY (SS) | 953-2224RP | 953-2225RP | STAINLESS STEEL SHAFT |
| 57 | 1 | HOUSING | 953-2205RP | 953-2200RP | |
| 61 | 1 | SHAFT (CS) | 953-2202RP | 953-2202RP | CARBON STEEL |
| 61 | 1 | SHAFT (SS) | 953-2204RP | 953-2204RP | STAINLESS STEEL |
| 59 | 1 | END CAP | 953-2201RP | 953-2201RP | |
| 67 | 1 | BOLT, FOOT SUPPORT | 10-215RP | 10-215RP | |
| 66 | 1 | LOCKWASHER, FOOT SUPPORT | 14-101RP | 14-101RP | |
| 146 | 1 | FLAT WASHER, FOOT SUPPORT | 14-316RP | 14-316RP | |
| 38 | 1 | KEY-SHAFT | 13-103RP | 13-103RP | |
| 176 | 1 | BALL BEARING, FRONT (THRUST) | 820-1039RP | 820-067RP | |
| 177 | 1 | BALL BEARING, REAR (RADIAL) | 953-2216RP | 951-2482RP | |
| 19 | 1 | DEFLECTOR | 900-043RP | 900-043RP | |
| 64 | 1 | RETAINING RING | 15-125RP | 15-125RP | |
| 58 | 4 | HEX HEAD BOLT, END CAP | 10-244RP | 10-244RP | |
| 54 | 1 | V RING SEAL, REAR | 953-1575-5RP | 953-1575-5RP | |
| 54A | 1 | V RING SEAL, FRONT | 953-1575-2RP | 953-1575-2RP | |
| 65 | 2 | GREASE FITTING | ----- | 15-203RP | |
| 94 | 2 | PIPE PLUG | ----- | 16-140RP | |

FI Series Seal Replacement Parts (EPT)

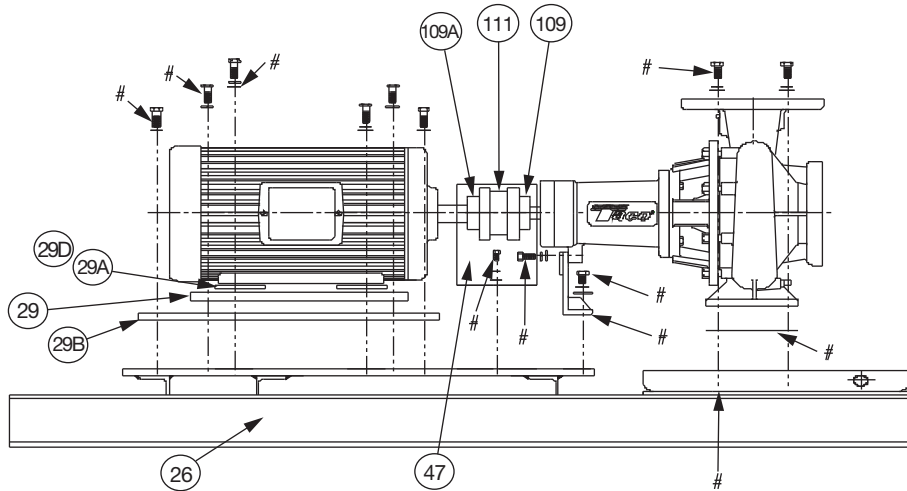


| | | | | |
|---------------------|--|---------------------|--|------------|
| 1206, 1506, 2506 | | 1206, 1506, 2506 | | |
| 1207, 1507, 2007 | 2507, 3007, 4075, 4007, 5007 | 1207, 1507, 2007 | 2507, 3007, 4075, 4007, 5007 | |
| | 2508 | | 2508 | |
| 1209C, 2009C, 2509C | 1509, 2009, 2009C, 2509, 2509C, 3009, 4009, 5009, 5095, 6009 | 1209C, 2009C, 2509C | 1509, 2009, 2009C, 2509, 2509C, 3009, 4009, 5009, 5095, 6009 | |
| 2510C | 2510 | 2510C | 2510 | |
| | 1511, 2511, 3011, 4011, 4011C, 5011, 6011 | | 1511, 2511, 3011, 4011, 4011C, 5011, 6011 | |
| | 2513, 3013, 4013 | 5013, 6013 | 2513, 3013, 4013 | 5013, 6013 |

| ITEM NO. | NO. REQ. | DESCRIPTION | BEARING FRAME | | | BEARING FRAME | | |
|----------|----------|-----------------------|--------------------------|---------------|----------------|--------------------------|----------------|----------------|
| | | | H | J | L | H | J | L |
| | | | MECHANICAL DESIGN (125#) | | | MECHANICAL DESIGN (250#) | | |
| | | | | | | | | |
| 9 | 1 | GASKET (CASING) | SEE PAGE 1 | SEE PAGE 1 | SEE PAGE 1 | SEE PAGE 1 | SEE PAGE 1 | SEE PAGE 1 |
| 10 | 1 | SLEEVE (SS) | 953-1118RP | 953-1170RP | 953-1172RP | 953-1892RP | 953-1891RP | 953-1890RP |
| 10 | 1 | SLEEVE (BRZ) | 953-1119RP | 953-1171RP | 953-1173RP | 953-1861RP | 953-1887RP | 953-1888RP |
| 11 | 1 | SEAL (TYPE B) | 951-3157RP | 951-3158RP | 951-2966RP | 951-3766RP | 951-5158RP | 951-5151RP |
| 11 | 1 | SEAL (TYPE D) | 951-3159RP | 951-3160RP | 951-2967RP | 951-3781RP | 951-5159RP | 951-5152RP |
| 11 | 1 | SEAL (TYPE E) | 951-3161RP | 951-3162RP | 951-2968RP | 951-3782RP | 951-5160RP | 951-5153RP |
| 12 | 1 | SLEEVE "O"-RING | 592-525RP | 951-3042RP | 951-5277RP | 592-525RP | 951-3042RP | 951-5277RP |
| 22 | 1 | DEFLECTOR | 900-043RP | 951-3040RP | 951-3065RP | 900-043RP | 951-3040RP | 951-3065RP |
| 40 | 1 | SEAL KIT (TYPE B) SS | 953-1549-1RP | 953-1549-4RP | 953-1549-14RP | 953-1549-7RP | 953-1549-10RP | 953-1549-17RP |
| 40 | 1 | SEAL KIT (TYPE B) BRZ | 953-1549-1BRP | 953-1549-4BRP | 953-1549-14BRP | 953-1549-7BRP | 953-1549-10BRP | 953-1549-17BRP |
| 40 | 1 | SEAL KIT (TYPE D) SS | 953-1549-2RP | 953-1549-5RP | 953-1549-15RP | 953-1549-8RP | 953-1549-11RP | 953-1549-18RP |
| 40 | 1 | SEAL KIT (TYPE D) BRZ | 953-1549-2BRP | 953-1549-5BRP | 953-1549-15BRP | 953-1549-8BRP | 953-1549-11BRP | 953-1549-18BRP |
| 40 | 1 | SEAL KIT (TYPE E) SS | 953-1549-3RP | 953-1549-6RP | 953-1549-16RP | 953-1549-9RP | 953-1549-12RP | 953-1549-19RP |
| 40 | 1 | SEAL KIT (TYPE E) BRZ | 953-1549-3BRP | 953-1549-6BRP | 953-1549-16BRP | 953-1549-9BRP | 953-1549-12BRP | 953-1549-19BRP |

AW-698 REV. J

Motor Replacement Parts



SEE FI BASE HARDWARE SPREAD SHEET FOR ALL PUMPS

NOTE: INCLUDE 'RP' AT END OF P/N

SEE FI BASE HARDWARE SPREAD SHEET FOR ALL PUMPS

NOTE: INCLUDE 'RP' AT END OF P/N

| ITEM NO. | NO. REQ. | DESCRIPTION | FI 1209C MOTOR FRAMES (NEMA STD.) "T" | | | | | | | | | | | | |
|----------|----------|-----------------------|---------------------------------------|----------|----------|----------|----------|----------|----------|----------|----------|----------|----------|----------|----------|
| | | | 56 | 143T | 145T | 182T | 184T | 213T | 215T | 254T | 256T | 284TS | 286TS | 324T | 326T |
| 47 | 1 | COUPLER GUARD | 951-3696 | 951-3696 | 951-3696 | 951-3696 | 951-3696 | 951-3077 | 951-3077 | 951-3079 | 951-3079 | 951-3079 | 951-3079 | 951-3079 | 951-3079 |
| 109 | 1 | PUMP COUPLER HALF | 953-2427 | 953-2433 | 953-2433 | 953-2433 | 953-2433 | 953-2433 | 953-2433 | 953-2439 | 953-2439 | 953-3281 | 953-3281 | 953-3281 | 953-3281 |
| 109A | 1 | MTR. COUPLER HALF | 953-2425 | 953-2433 | 953-2433 | 953-2435 | 953-2435 | 953-2437 | 953-2437 | 953-2445 | 953-2445 | 953-2454 | 953-2454 | 953-2454 | 953-2454 |
| 111 | 1 | COUPLER INSERT | 953-2424 | 953-2430 | 953-2430 | 953-2430 | 953-2430 | 953-2430 | 953-2430 | 953-2438 | 953-2438 | 953-2446 | 953-2446 | 953-2446 | 953-2446 |
| * | 1 | OSHA COUPLER GUARD | 953-1914 | 953-1914 | 953-1914 | 953-1914 | 953-1914 | 953-1914 | 953-1914 | 953-1915 | 953-1915 | 953-1915 | 953-1915 | 953-1915 | 953-1915 |
| 26 | 1 | BASE | 953-4708 | 953-4708 | 953-4708 | 953-4708 | 953-4708 | 953-4707 | 953-4707 | 953-4711 | 953-4711 | 953-4711 | 953-4711 | 953-4711 | 953-4711 |
| 29 | 2 | SPACER (1ST) MOTOR | 953-5203 | 953-5201 | 953-5201 | - | - | - | - | 953-6291 | 953-6291 | 953-6291 | 953-6291 | - | - |
| 29B | 2 | SPACER (2ND) MOTOR | - | - | - | - | - | - | - | - | - | - | - | - | - |
| 29A | 4 | SPACER RD (1ST) MOTOR | - | - | - | - | - | 953-2229 | 953-2229 | - | - | - | - | - | - |
| 29D | 4 | SPACER RD (2ND) MOTOR | - | - | - | - | - | - | - | 953-2228 | 953-2228 | - | - | - | - |

AW-1123 REV -



TACO, INC., 1160 Cranston Street, Cranston, RI 02920 Telephone: (401) 942-8000 FAX: (401) 942-2360.
TACO (Canada), Ltd., 8450 Lawson Road, Unit #3, Milton, Ontario L9T 0J8. Telephone: 905/564-9422. FAX: 905/564-9436.
 Visit our web site at: <http://www.taco-hvac.com>

Printed in USA
 Copyright
 2013
 TACO, Inc.